

INSTALLATION INSTRUCTIONS

PREMIUM REMOTE FILTER MOUNT

PART # 18-RFHU__-22

Please read these instructions completely before beginning installation

KIT CONTENTS	
QTY.	DESCRIPTION
1	Filter mount
1	Mounting bracket
4	1/4-20 x 3/4" socket cap bolts
4	1/4-20 x 3/8" SS button head bolt
2	22mm x 1.5 plugs with o-rings
1	Oil filter nipple*

*see chart below for corresponding size

INSTALLATION

This premium remote filter mount has a unique design allowing it to be rotated 180 degrees for alternative mounting options (see Diagram #1).

- Using an Allen wrench, attach the mounting bracket to the filter mount in the desired location with the four 1/4-20 x 3/4" socket cap bolts.

NOTE: A thread-locking compound can be used for a permanent application.

- Identify the four 1/4-20 x 3/8" SS button head bolts. These are included for aesthetic purposes to plug the holes on the front side of the filter mount. They serve no other function (see Diagram #1).

NOTE: The four holes on the front side of the filter mount may be used for additional mounting in severe-duty installations.

- Using an Allen wrench, attach and tighten bolts identified in Step 2.
- Determine desired in an out port to best fit your desired oil line routing. Install the two 22mm x 1.5 plugs in the unused ports.

NOTE: The unused ports can be used for vehicle sending units, such as temperature, pressure, etc.

- Identify the supplied filter nipple and carefully thread the nipple into the remote filter head until it completely bottoms out (see Diagram #2).
- Install oil filter onto remote filter head oil filter nipple and tighten to manufacturer's specification.

Reference chart below for part number / corresponding size.

P/N	NIPPLE THREAD
18-RFHU13-22	13/16-16
18-RFHU20-22	M20 x 1.5
18-RFHU34-22	3/4-16

IMPORTANT

The remote filter head is machined with 22mm x 1.5 threaded ports and **MUST** have an o-ring style fitting.

SUSA offers several aluminum AN male adapter fittings:
Please visit www.setrabusa.com

Diagram #1

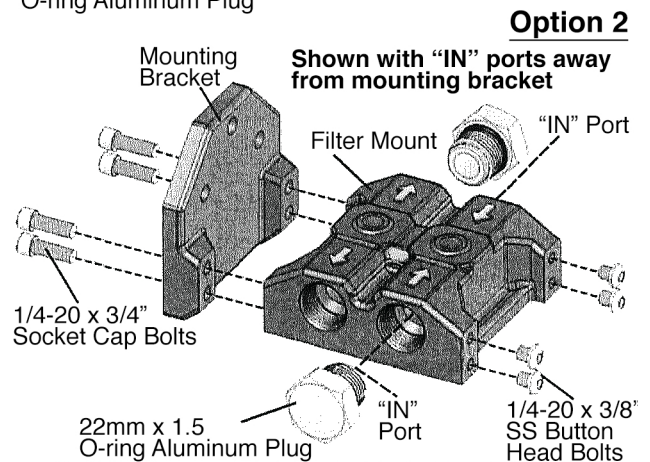
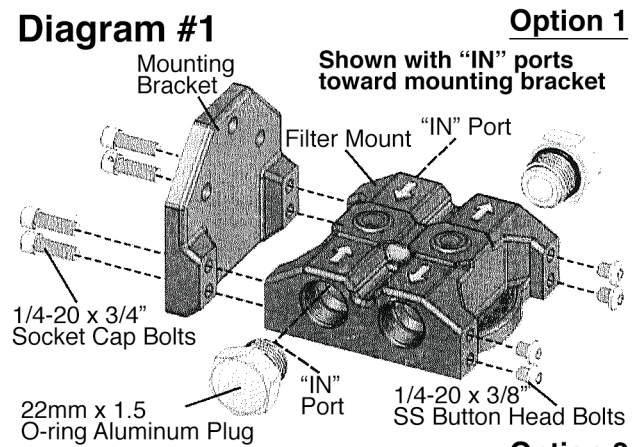


Diagram #2

