

INSTALLATION INSTRUCTIONS

Part # 23-MPSTD-UB1-9
fits all Setrab ProLine STD range oil cooler sizes

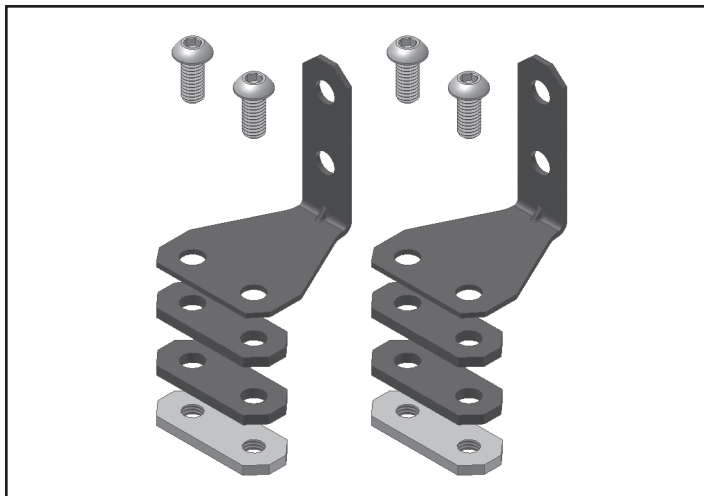
Please read these instructions completely before beginning installation.

KIT CONTENTS

QTY.	DESCRIPTION
2	Brackets: Rib-reinforced steel with durable powder-coated finish
2	Backing plates: Steel backing plates, threaded M6x1.0
4	Rubber damping pads, 70A durometer, heavy-duty adhesive
4	Screws: M6x1.5 x 14 mm steel button head hex drive

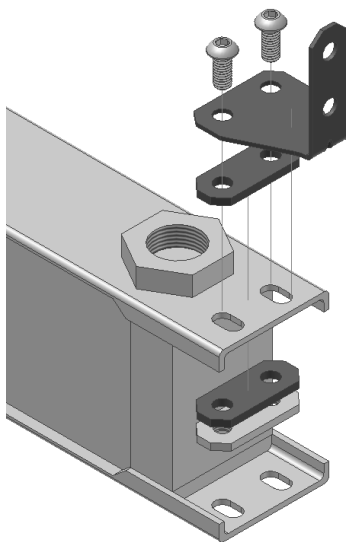
IMPORTANT

Allow vehicle to cool completely before attempting installation or maintenance of oiling system components.



Summary

These mounting brackets offer several options and combinations of mounting orientation onto the oil cooler (see images at right). Whichever method(s) chosen, the oil cooler's mounting tabs should be sandwiched by rubber damping pads to isolate the oil cooler from vibration. Utilize at least three—ideally all four—of the oil cooler's mounting tabs for mounting the oil cooler to the vehicle for maximum durability and longevity.



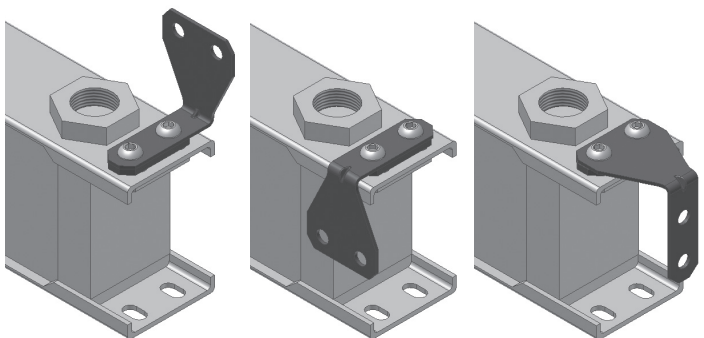
These brackets assist in the mounting and protection of the oil cooler; however, mounting an oil cooler with these brackets is no guarantee of protection or substitute for common sense.

- Plan installation to secure the mounting hardware to chassis points that will isolate the oil cooler from chassis flex/torsion.
- Ensure that oil lines have been secured as closely as possible to their entry & exit on the oil cooler.

INSTALLATION

Installing mounting brackets to oil cooler:

1. Identify desired mounting bracket orientation on oil cooler mounting tab from the multiple options as pictured above.
2. Peel away wax paper on rubber damping pad to reveal



heavy-duty adhesive surface.

3. Apply rubber damping pad to mounting bracket surface and press firmly to form adhesive bond, ensuring the holes align.
4. Place mounting bracket against desired oil cooler mounting tab with rubber damping pad against oil cooler surface.
5. Place steel backing plates under oil cooler mounting tabs with rubber damping pads toward oil cooler mounting tab.
6. Use included M6x1.0 x 14 mm button head hex drive screws to fasten mounting bracket to oil cooler mounting tabs.

NOTE: Application of a medium-strength threadlocker compound is recommended for a more secure and durable screw installation.

7. Tighten screws, compressing bracket's rubber damping pads by no more than 50%. Rubber should *not* squeeze out.

NOTE: Over-compression of rubber damping will reduce

Warning: Installation should only be attempted by those with mechanical skills and experience working on vehicles. Standard safety precautions consistent with the tools and dangers of automotive work should be followed to protect from injury. Specifically, wear protective equipment, take care to stabilize the vehicle on a level surface, engage the parking brake, and allow vehicle to cool before installation; failure to comply can result in injury and/or damage to equipment.

its effectiveness at absorbing vibration.

8. Repeat steps 1–4 to install remaining mounting bracket.

Installing oil cooler assembly onto vehicle:

9. Plan mounting location to chassis points that will isolate the oil cooler assembly from chassis flex and torsion. Torsion across the oil cooler body will weaken and fail the unit.
10. Fasten assembly to vehicle utilizing all mounting brackets.

Accessory parts available:

P/N	DESCRIPTION
23-1002 23-6002 23-9002	<p>sūsa ProLine STD Mounting Brackets sūsa ProLine Mounting Bracket kits offer a universal mounting solution for all Setrab ProLine STD oil coolers and Fanpacks. Full-width brackets bolt to the top and bottom of oil cooler.</p> <p>The lightweight rib-reinforced aluminum construction is race-proven and Baja-tested for durability in even the most demanding applications.</p> <p>Hardy bulkhead mounting orientation incorporates 70A durameter dampening pads to completely isolate the cooler from vibration. Mounting brackets are sold in pairs and include rubber damping, threaded backing plates, and bolts.</p>
<p>Black 22-HS06-BK 22-HS08-BK 22-HS10-BK 22-HS12-BK</p> <p>Silver 22-HS06-SI 22-HS08-SI 22-HS10-SI 22-HS12-SI</p>	<p>Hose Separators sūsa Hose Separators keep your oil lines separated and provide extra structure in a sleek and minimal form.</p> <p>Machined from lightweight billet aluminum and anodized either bright silver or matte black, these items install in a snap.</p> <p>In sizes to fit -6, -8, -10, -12 Available in anodized Black or Silver</p>
21-PC06 21-PC08 21-PC10 21-PC12	<p>Cushion Clamps Securely fastening your high-performance sūsa oil hose with our cushioned clamps tidies up your engine bay and reduces potential for vibration transferring into brazed aluminum oil cooler through the hose.</p> <p>In sizes to fit -6, -8, -10, and -12.</p>

for a full range of oil coolers and performance plumbing accessories please visit:

www.setrabusa.com