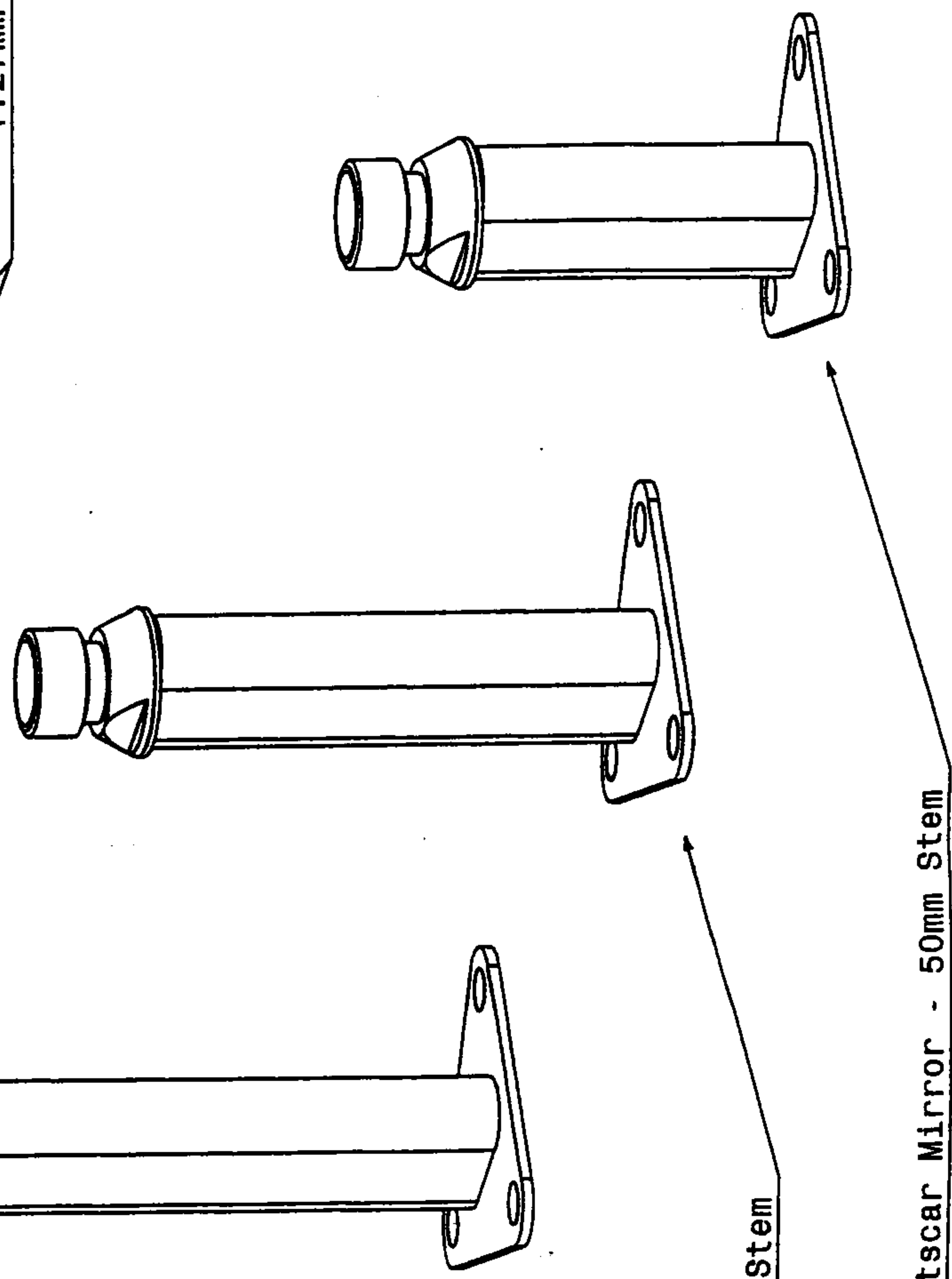
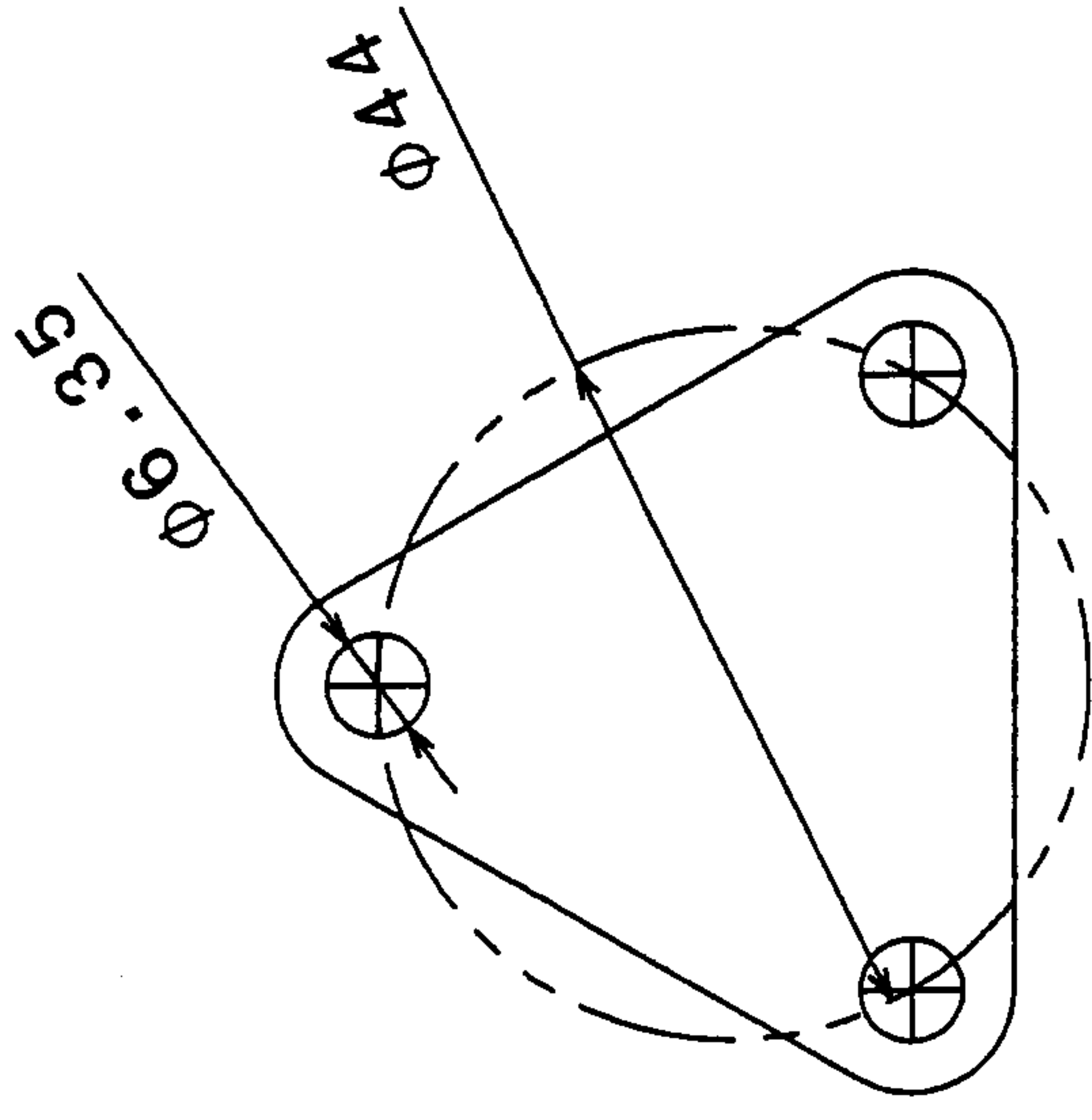
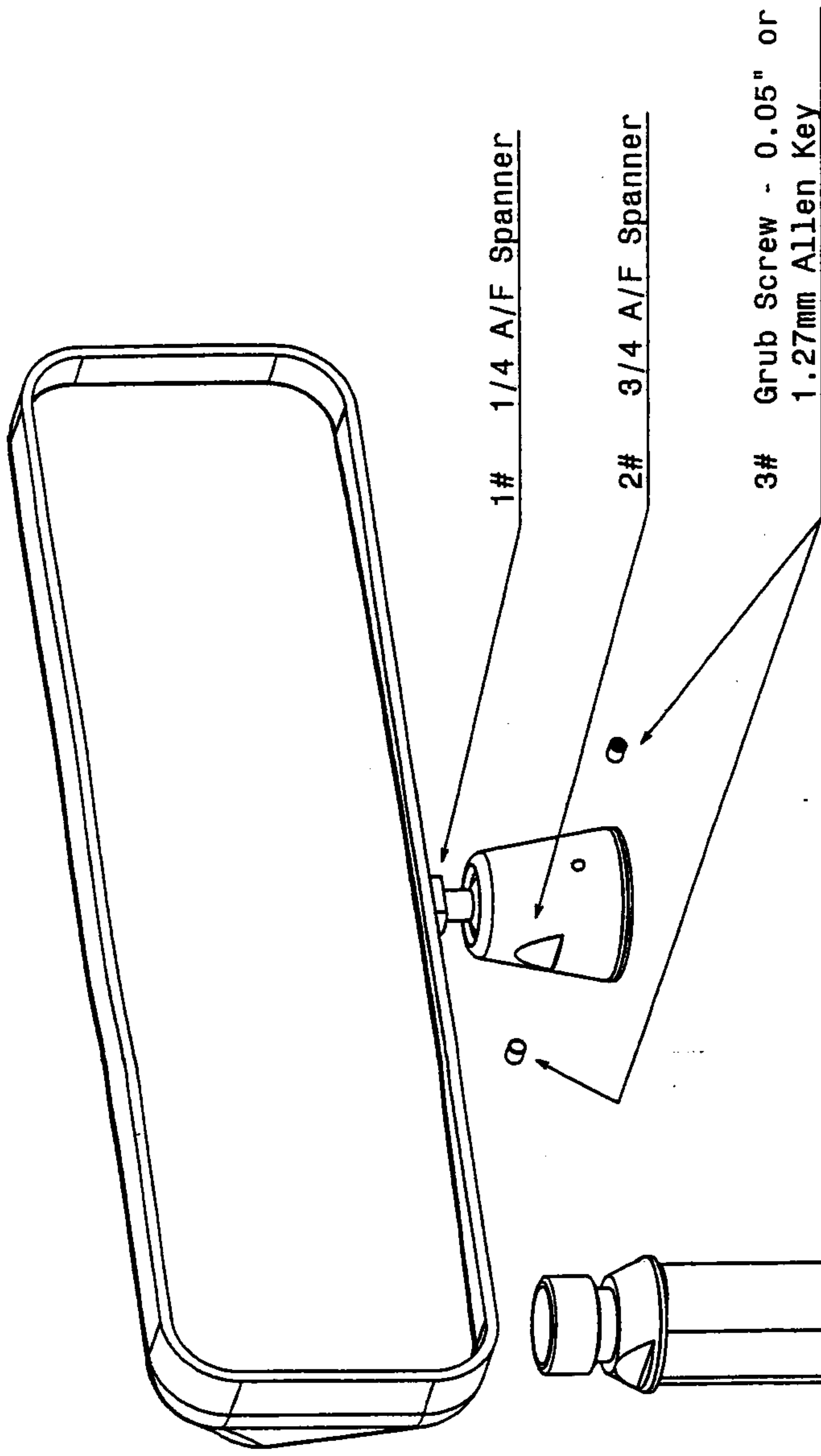




Sports Car Mirror Fitting Instructions

- Take the assembled mirror out of the box.
- Position the mirror on the vehicle in the desired position with the template placed under the mirror assembly, this will allow you to mark the centres to be drilled. Drill the body work with a 1/4" hole (6,35mm). Please turn over for the template.
- Once the holes have been drilled and de-burred, fix the mirror stem to the vehicle.
- Position the mirror to suit the driver's seating position.
- Tighten 2# with a 3/4 A/F spanner while holding 1# with the 1/4 A/F spanner.
- Tighten the two grub screws 3# using a 0.05" or 1,27mm Allen key. These are to lock the cover in place.



Sportscar Mirror - 100mm Stem

Sportscar Mirror - 75mm Stem

Sportscar Mirror - 50mm Stem