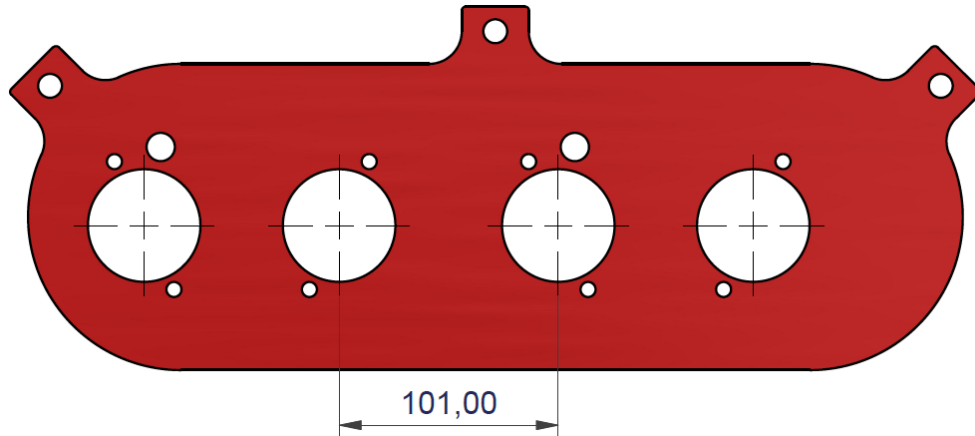




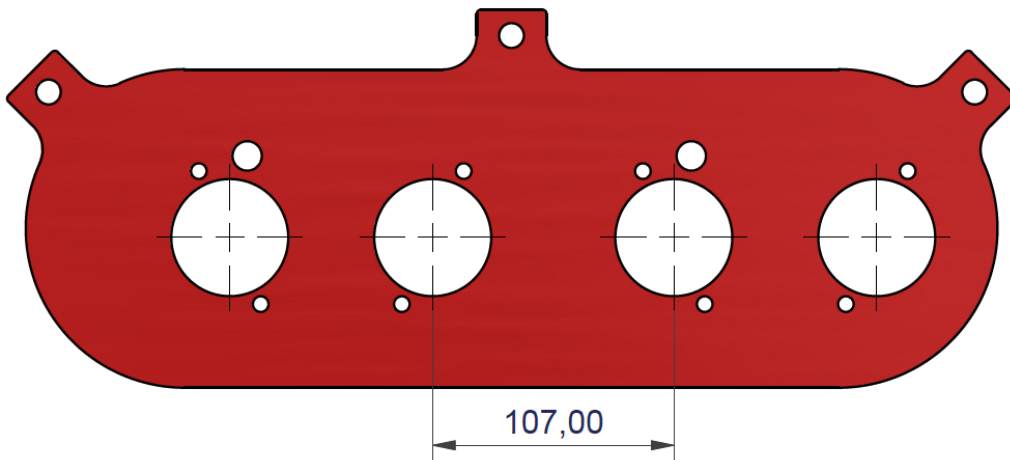
Multi Carburettor Filter Baseplates

Baseplates - JC50

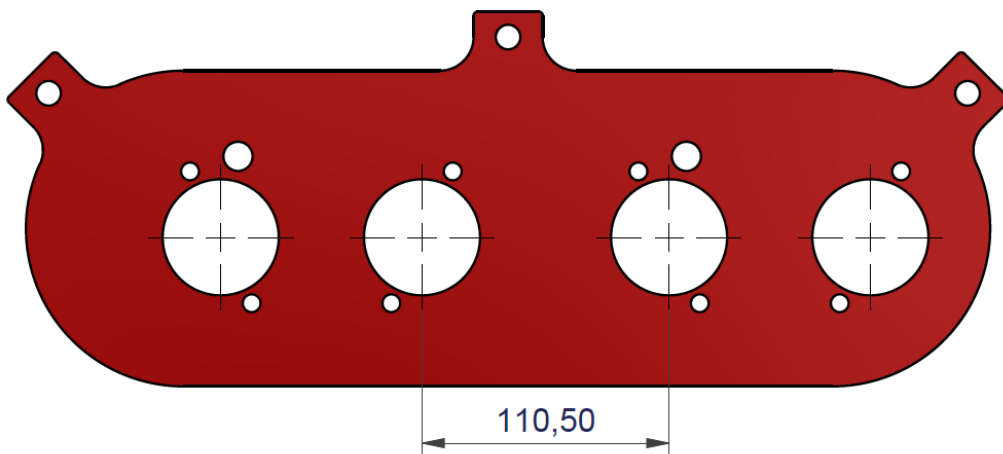
Part No	Carburettors - Engine/Manifold Fitting	Centres (mm)
2JC50	Weber DCOE Ford X-Flow, BDA, Lotus Twin Cam	101



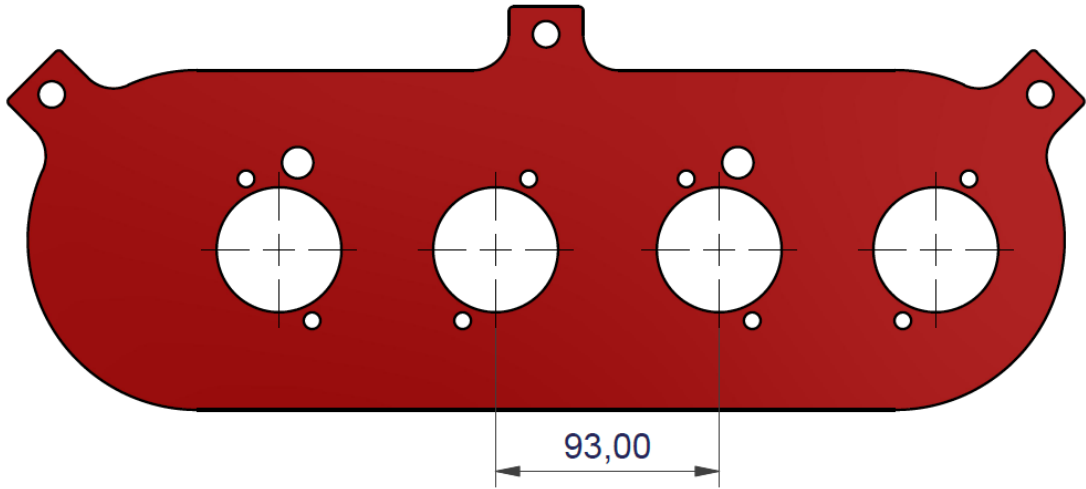
4JC50	Weber DCOE Ford Pinto (Mangoletsi Manifold)	107
-------	--	-----



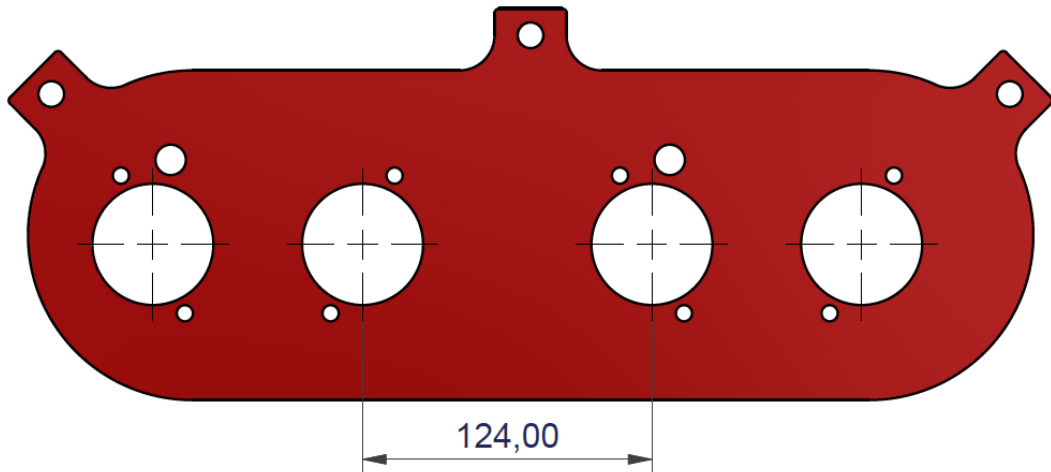
5JC50	Weber DCOE Ford Pinto (Holbay Manifold), BMW 4 Cylinder	110.5
-------	--	-------



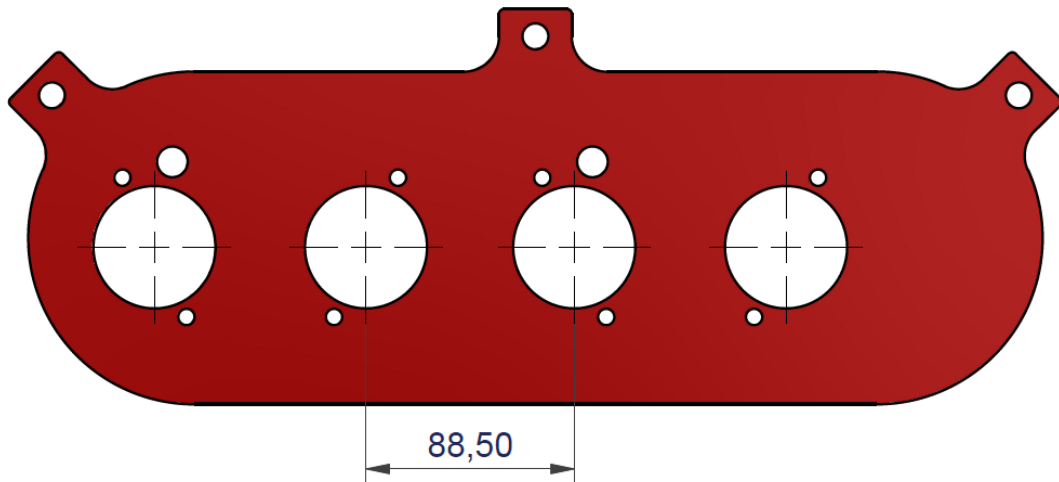
Part No	Carburetors - Engine/Manifold Fitting	Centres (mm)
6JC50	Weber DCOE Sunbeam Ti, Avenger 1	93



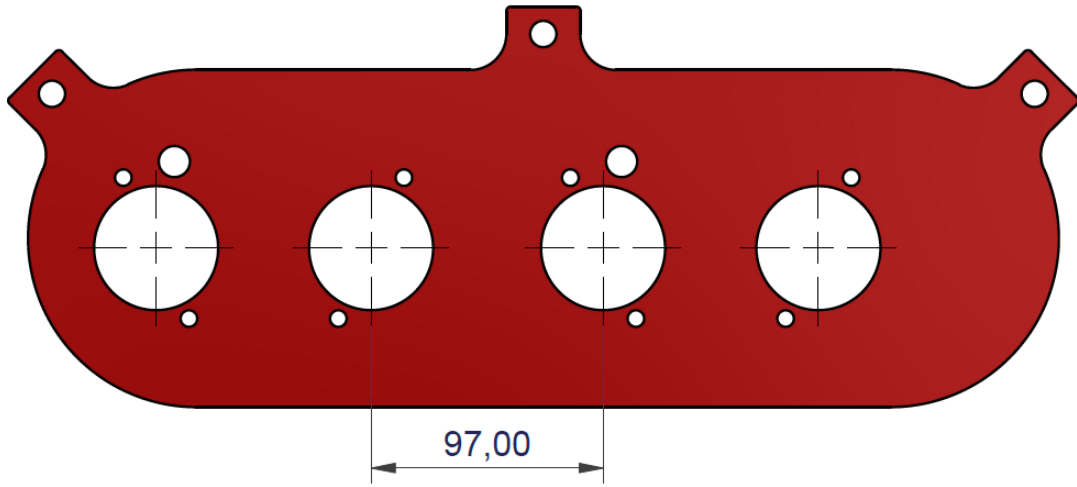
7JC50	Weber DCOE Sunbeam Lotus, Lotus 2.2, etc	124
-------	---	-----



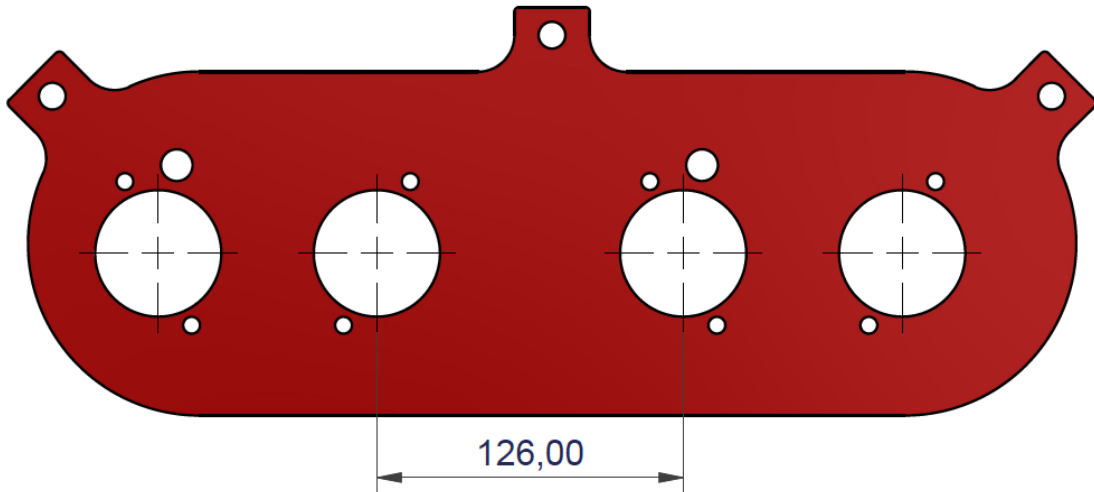
8JC50	Weber DCOE Toyota GT, Lotus/Renault	88.5
-------	--	------



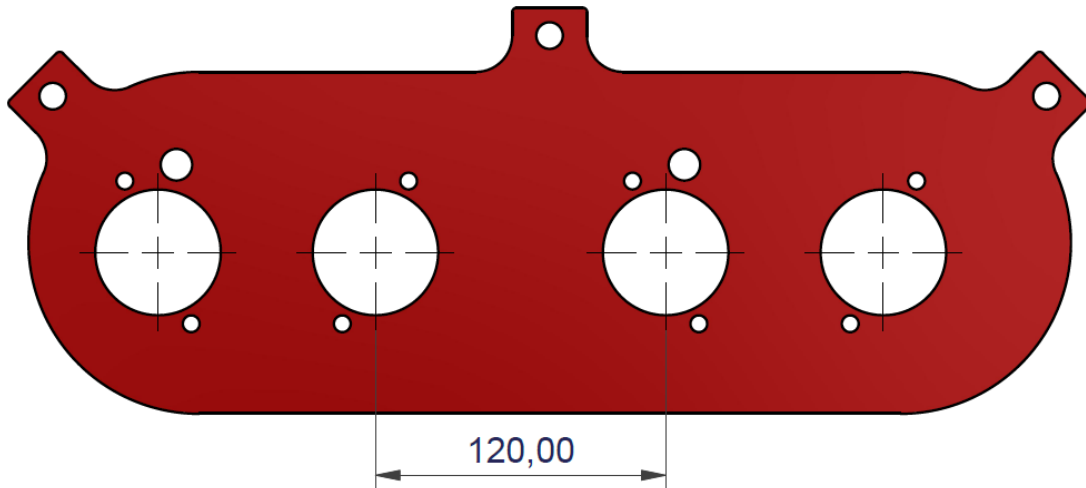
Part No	Carburetors - Engine/Manifold Fitting	Centres (mm)
11JC50	Weber DCOE 2000/2300 SIC (Vauxhall)	97



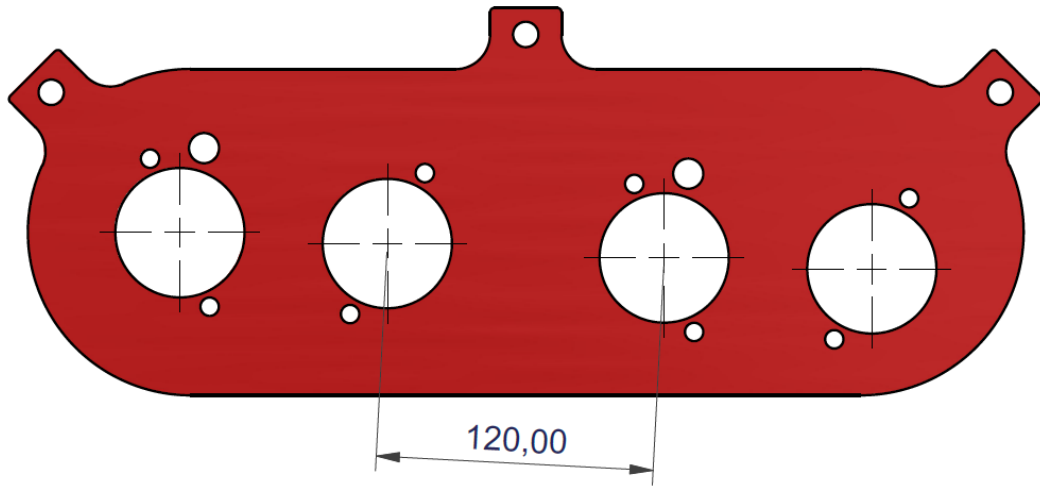
12JC50	Weber DCOE GM Twin Cam	126
--------	---------------------------	-----



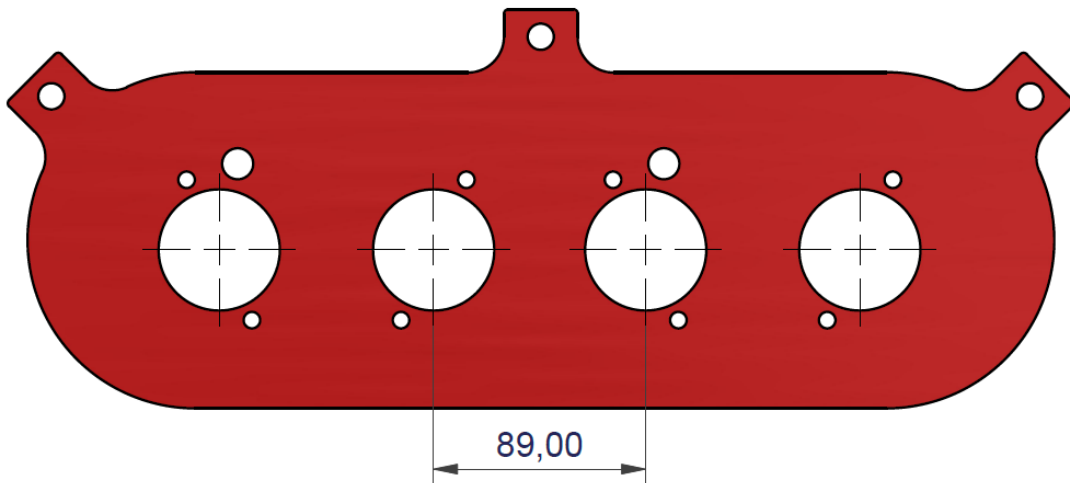
13JC50	Weber DCOE Opel 1.9/2.0 S/C	120
--------	--------------------------------	-----



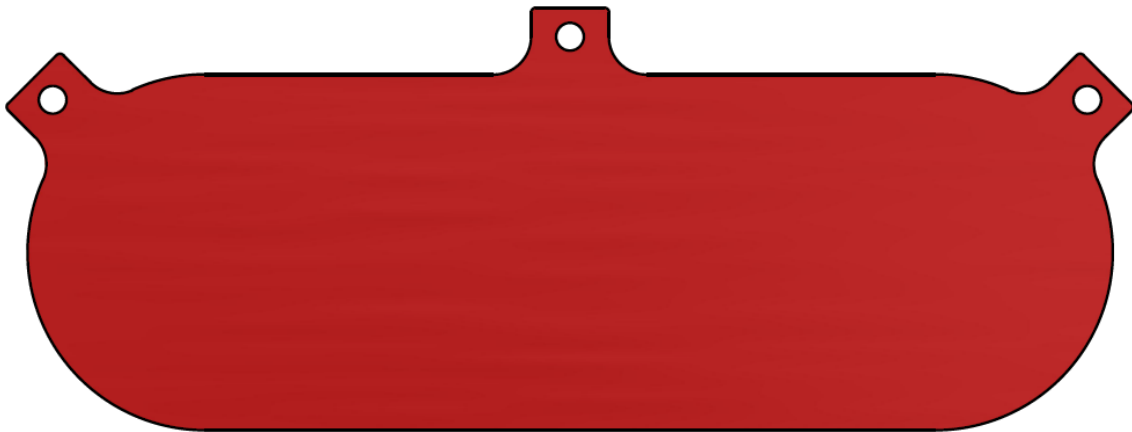
Part No	Carburetors - Engine/Manifold Fitting	Centres (mm)
14JC50	Weber DCO'SP Angled Opel Manta 400	120



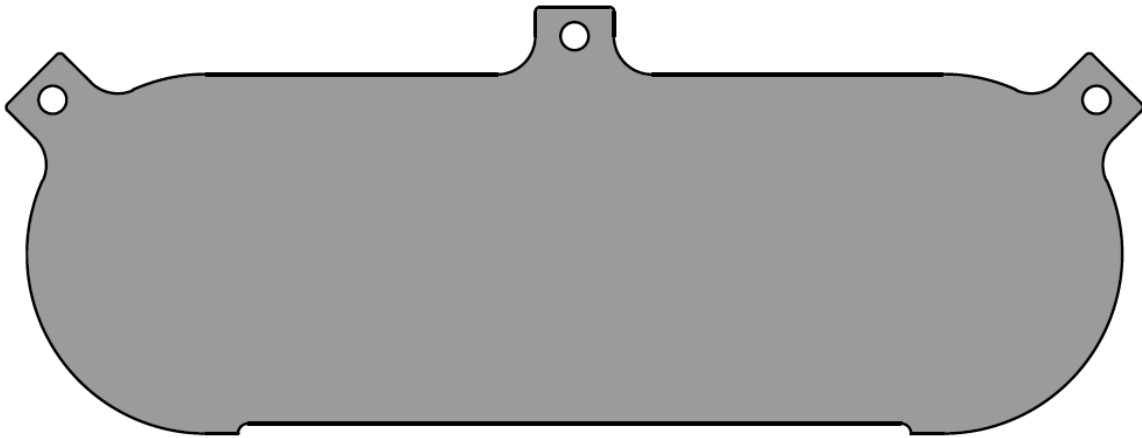
15JC50	Weber DCOE Fiat Strada T/C	89
--------	-------------------------------	----



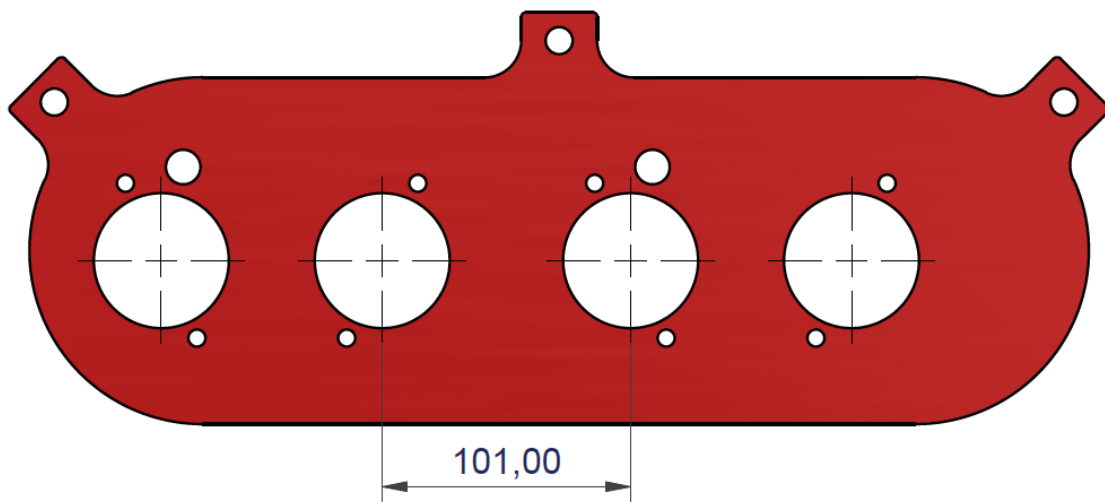
17JC50	Blank Baseplate (Powdercoated Steel - Red)	N/A
--------	---	-----



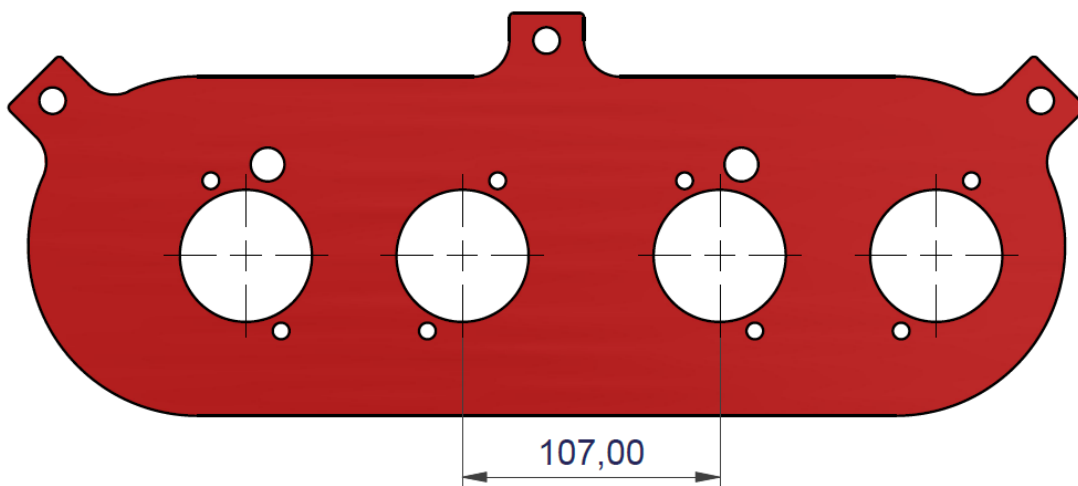
Part No	Carburetors - Engine/Manifold Fitting	Centres (mm)
18JC50	Blank Baseplate (Raw Aluminium)	N/A



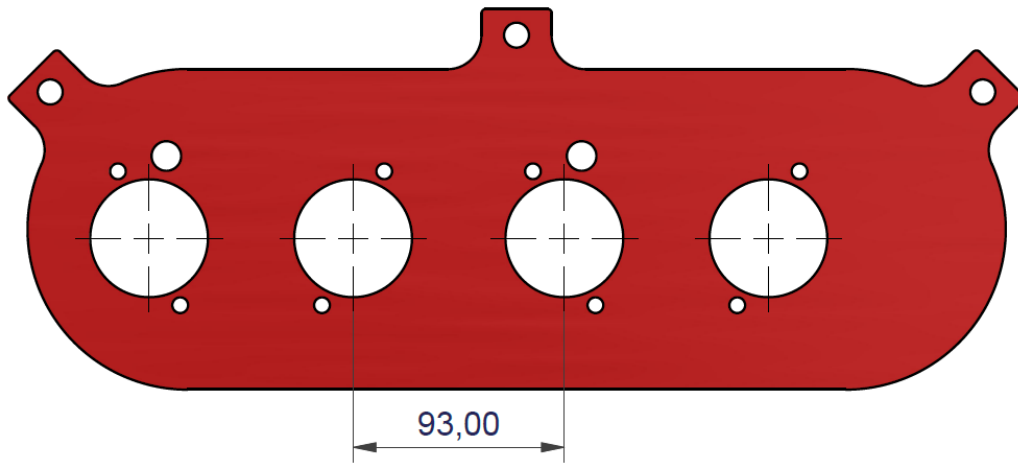
20JC50	Weber DCO'SP Ford X-Flow, BDA, Lotus T/C	101
--------	---	-----



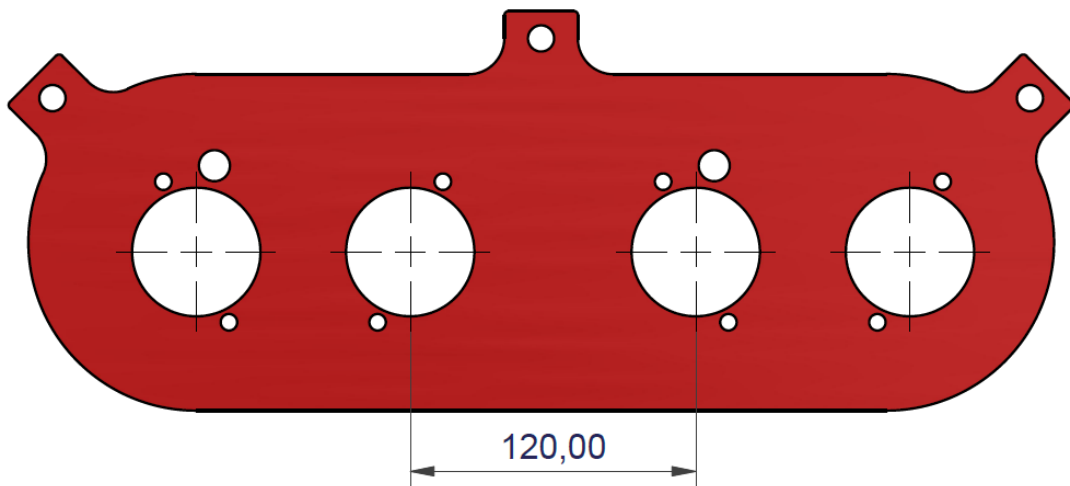
21JC50	Weber DCO'SP Ford Pinto (Mangoletsi Manifold)	107
--------	--	-----



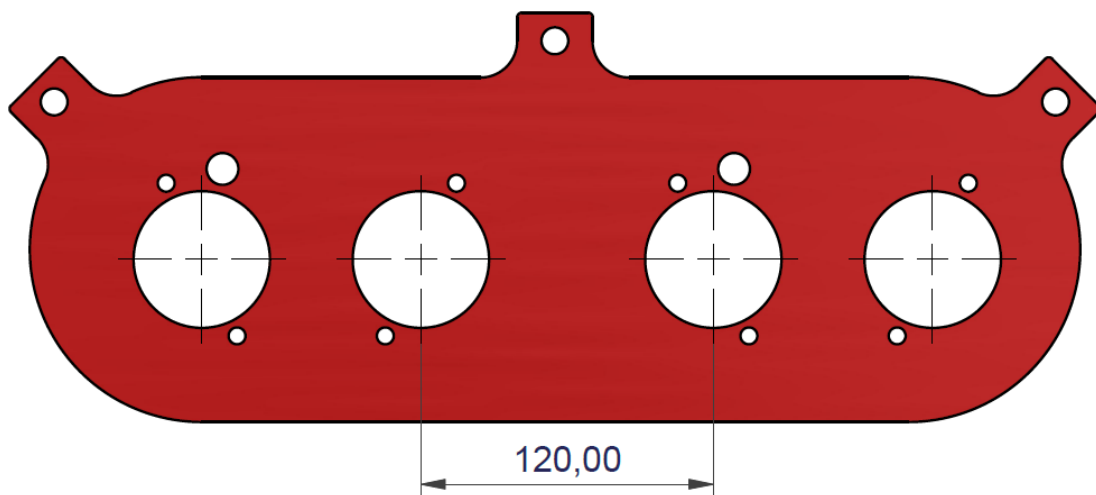
Part No	Carburettors - Engine/Manifold Fitting	Centres (mm)
22JC50	Weber DCOE Alfa Romeo T/C	93



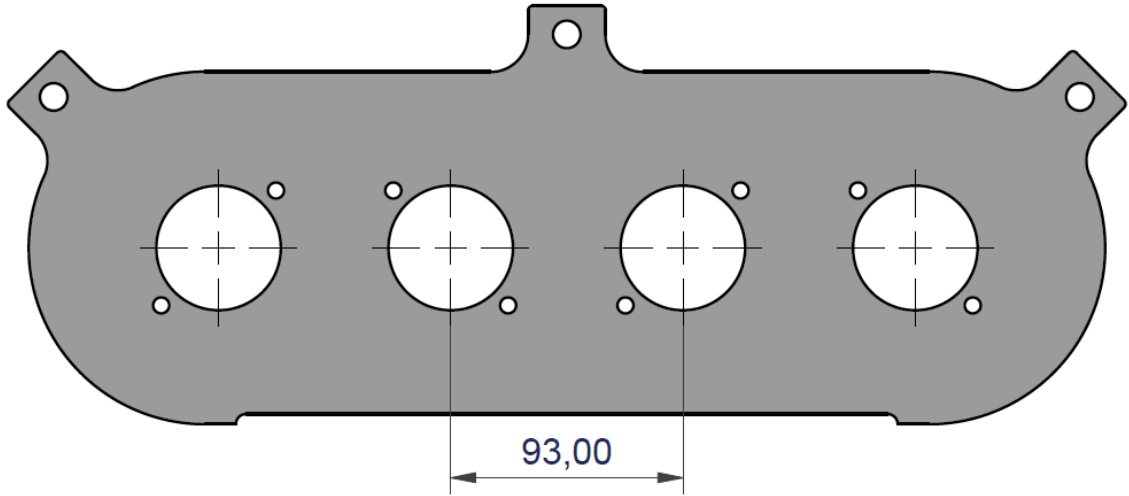
23JC50	Weber DCOE	120
--------	------------	-----



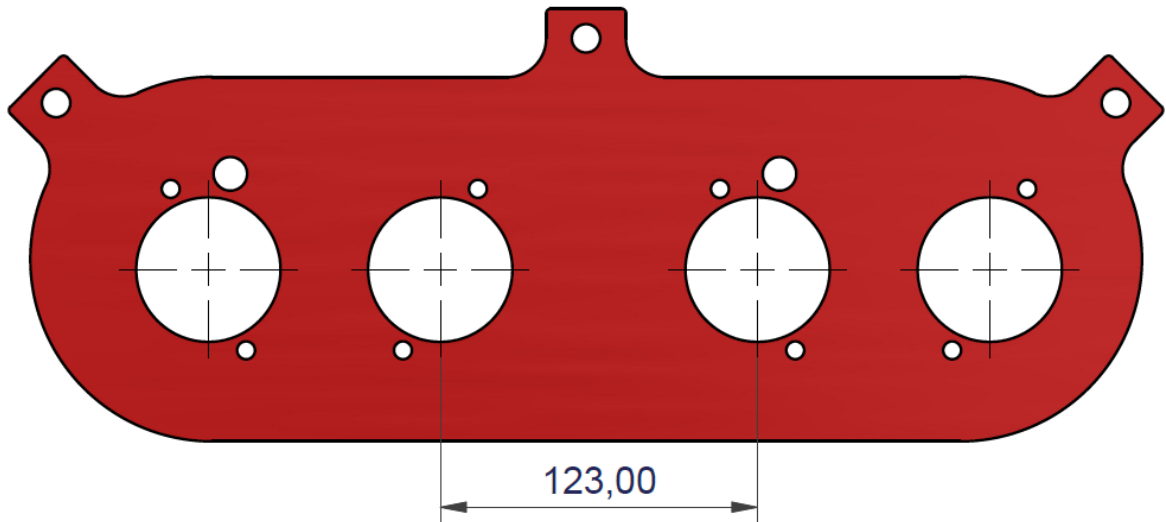
24JC50	Weber DCO'SP	120
--------	--------------	-----



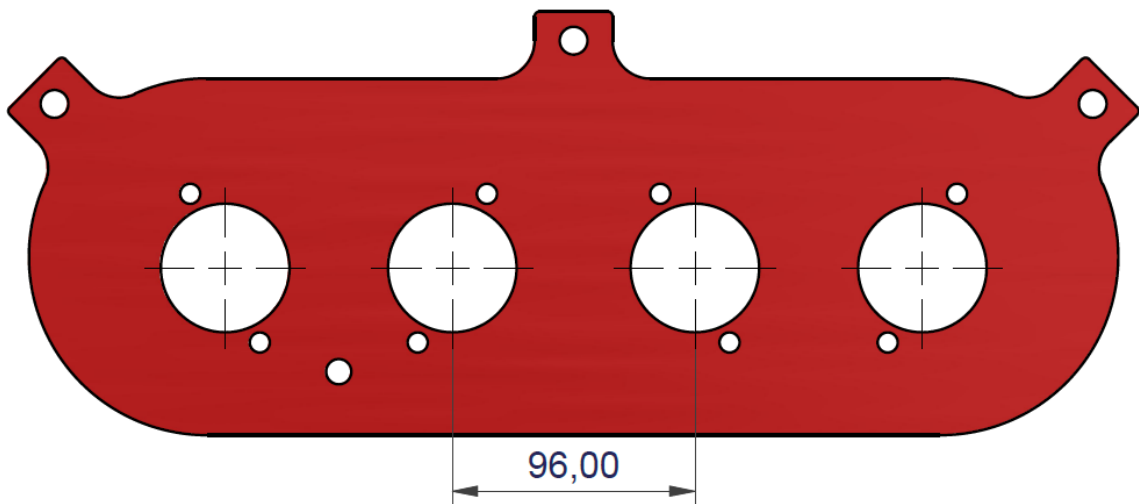
Part No	Carburetors - Engine/Manifold Fitting	Centres (mm)
25JC50	Throttle Bodies - 93mm Port Spacings (Aluminium, Ø50mm Port Holes)	93



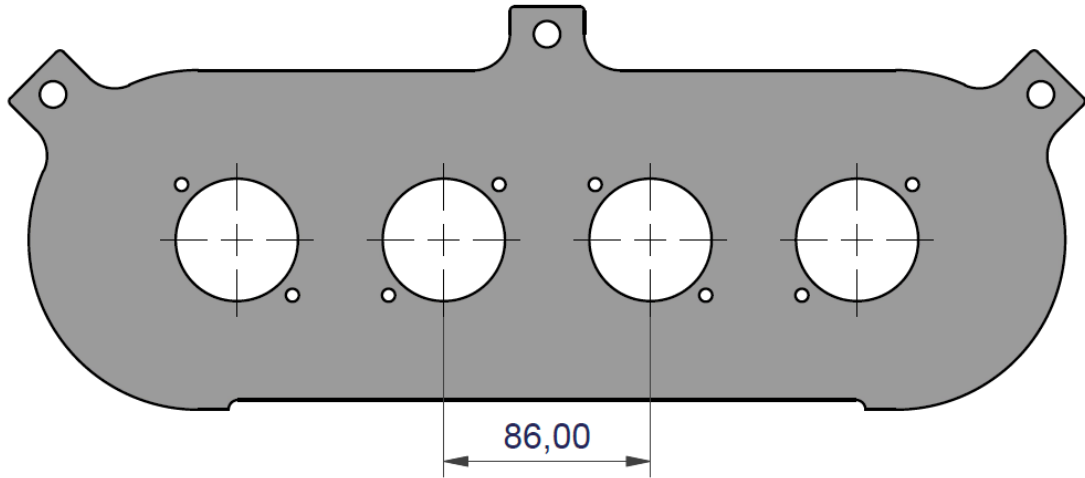
26JC50	Weber DCO'SP	123
--------	--------------	-----



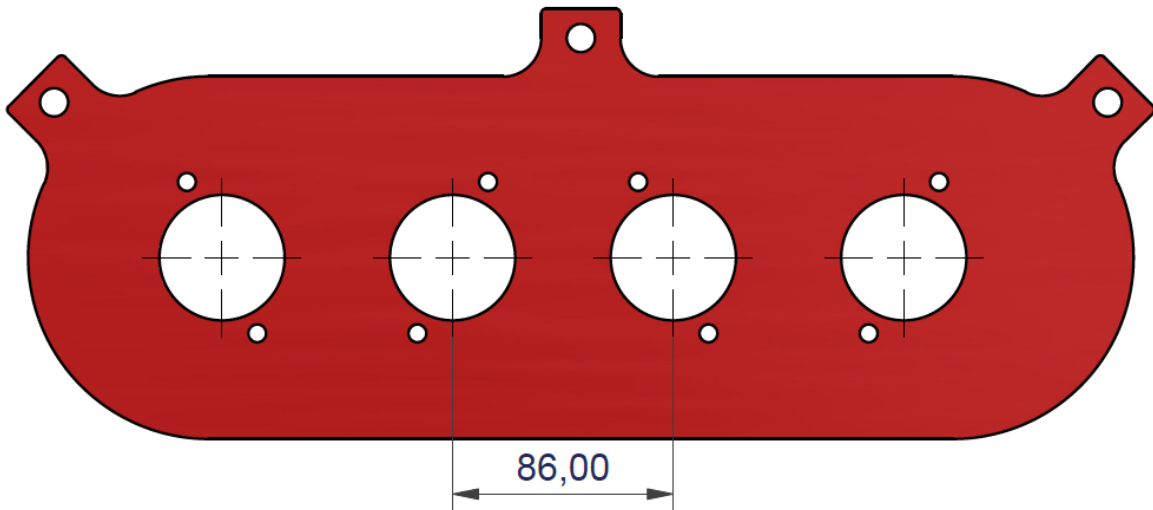
27JC50	Throttle Bodies (Ø51mm Port Holes)	96
--------	------------------------------------	----



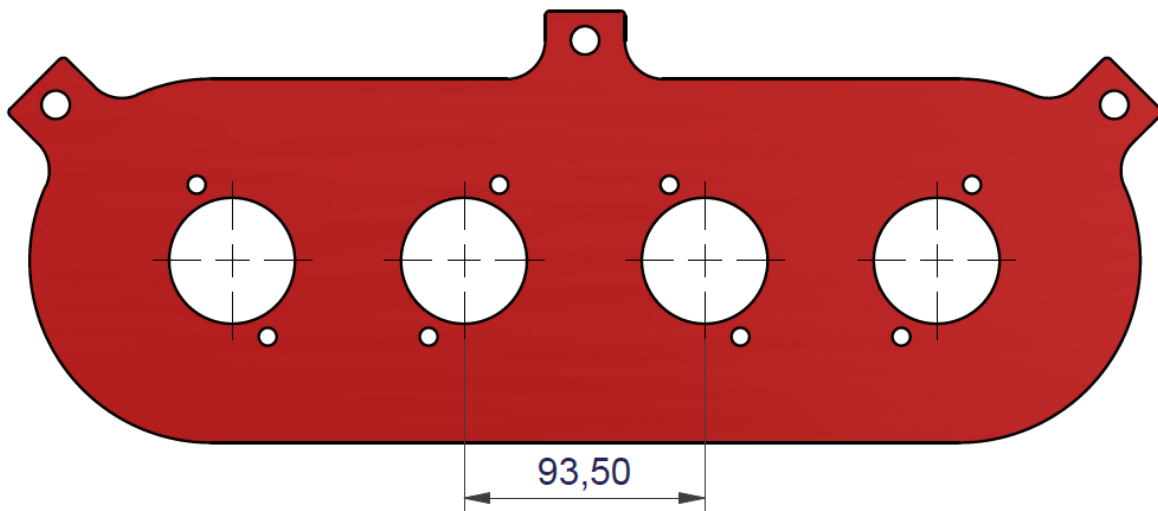
Part No	Carburetors – Engine/Manifold Fitting	Centres (mm)
29JC50	Throttle Bodies (Aluminium, Ø51mm Port Holes)	86



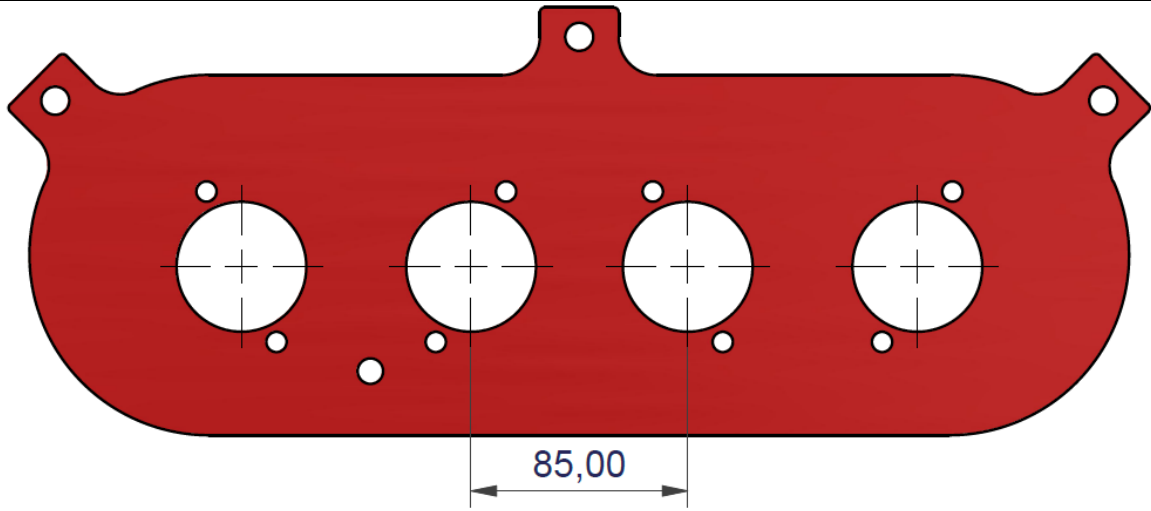
30JC50	Throttle Bodies (Ø49mm Port Holes)	86
--------	------------------------------------	----



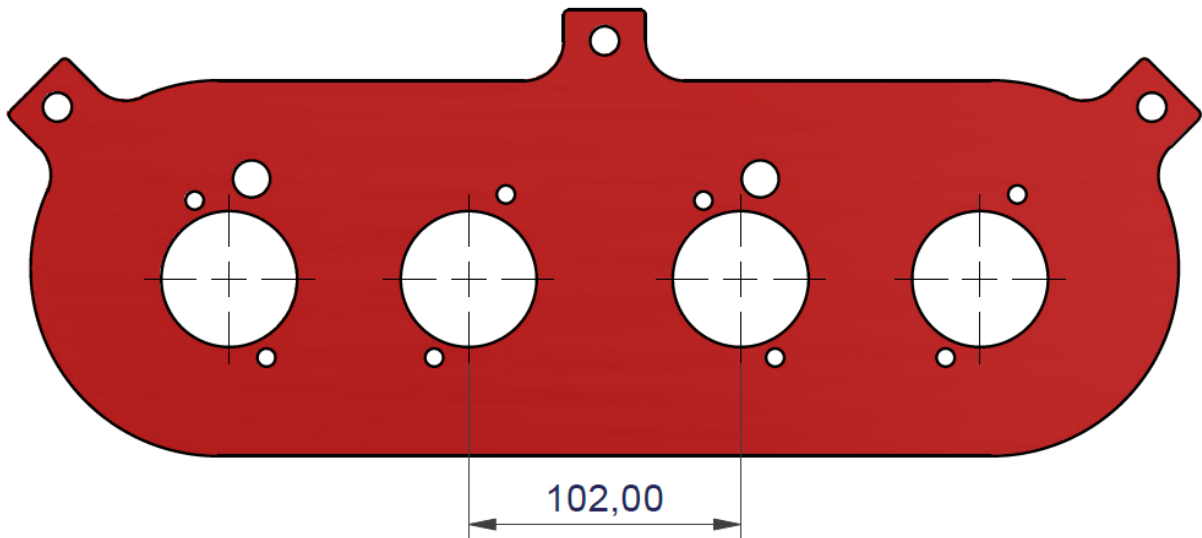
31JC50	Throttle Bodies (Ø49mm Port Holes)	93.5
--------	------------------------------------	------



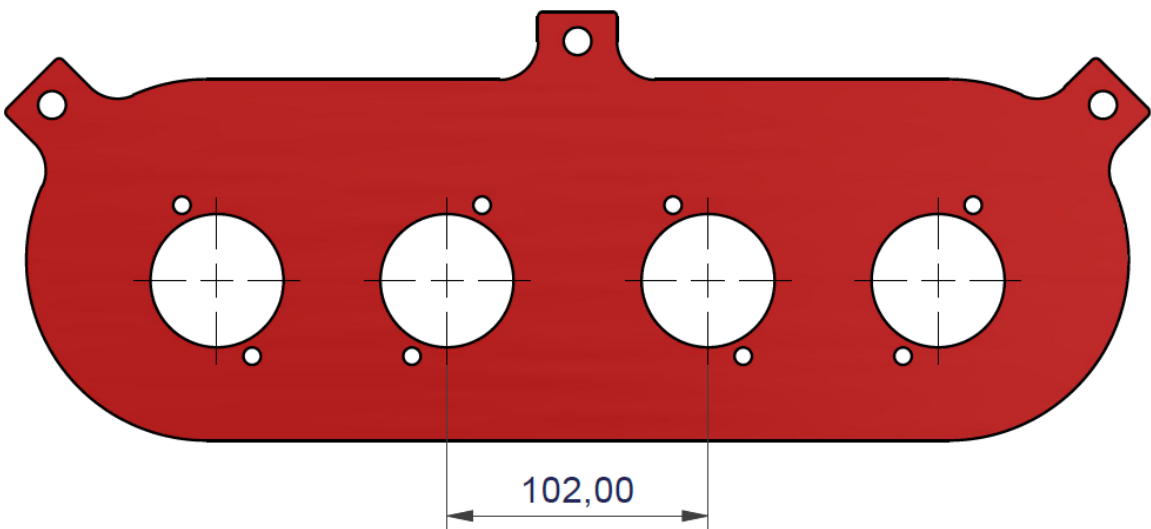
Part No	Carburetors - Engine/Manifold Fitting	Centres (mm)
32JC50	Throttle Bodies (Ø51mm Port Holes)	85



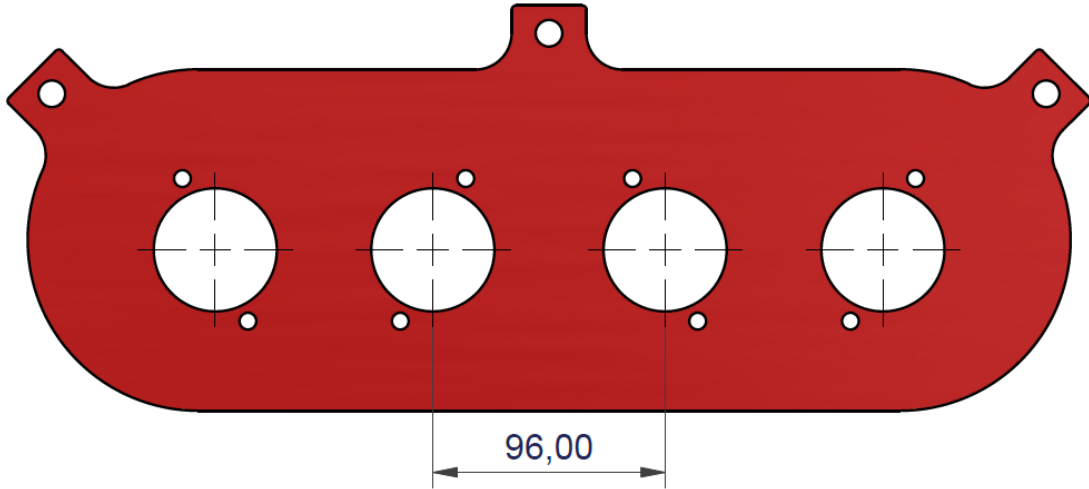
33JC50	Weber DCOE	102
--------	------------	-----



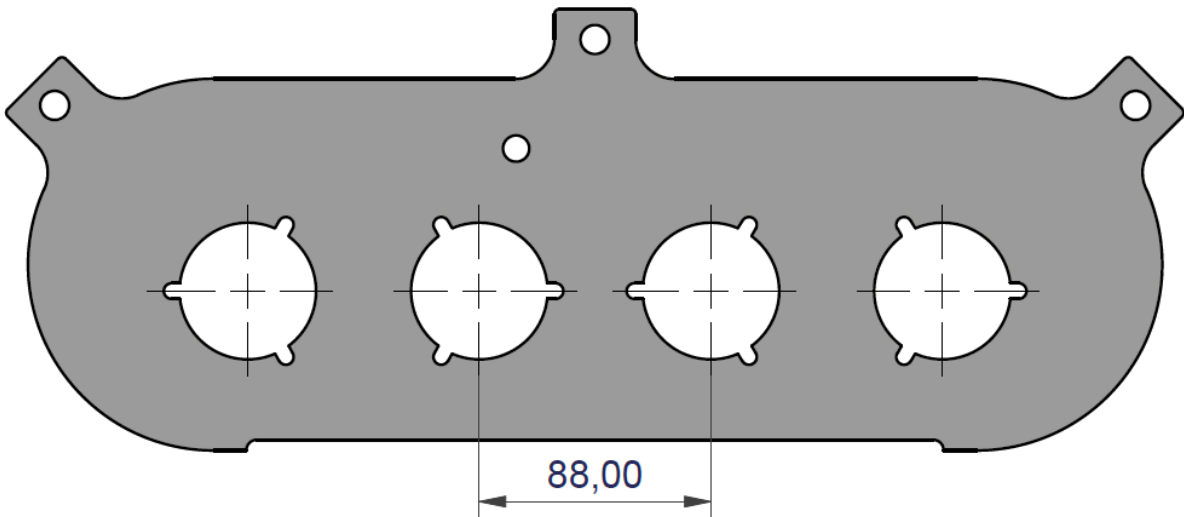
37JC50	Throttle Bodies (90mm Port Spacings, Ø52mm) JPE Spec - Vauxhall	102
--------	--	-----



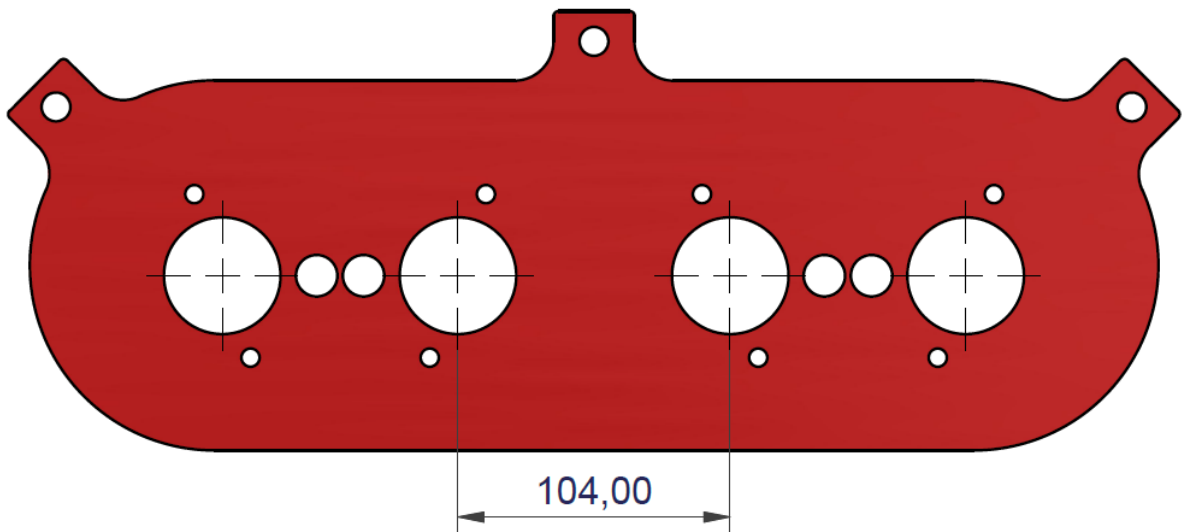
Part No	Carburetors - Engine/Manifold Fitting	Centres (mm)
38JC50	Throttle Bodies (90mm Port Spacings, Ø51mm) Some Jenvey Throttle Bodies	96



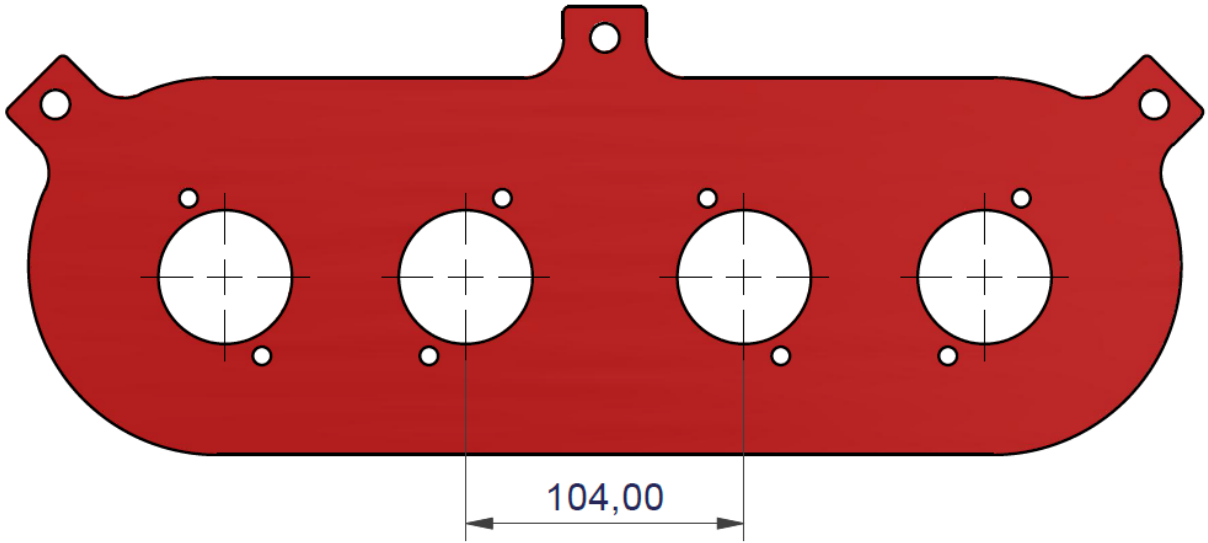
39JC50	Throttle Bodies (Aluminium) Caterham K Series	88
--------	--	----



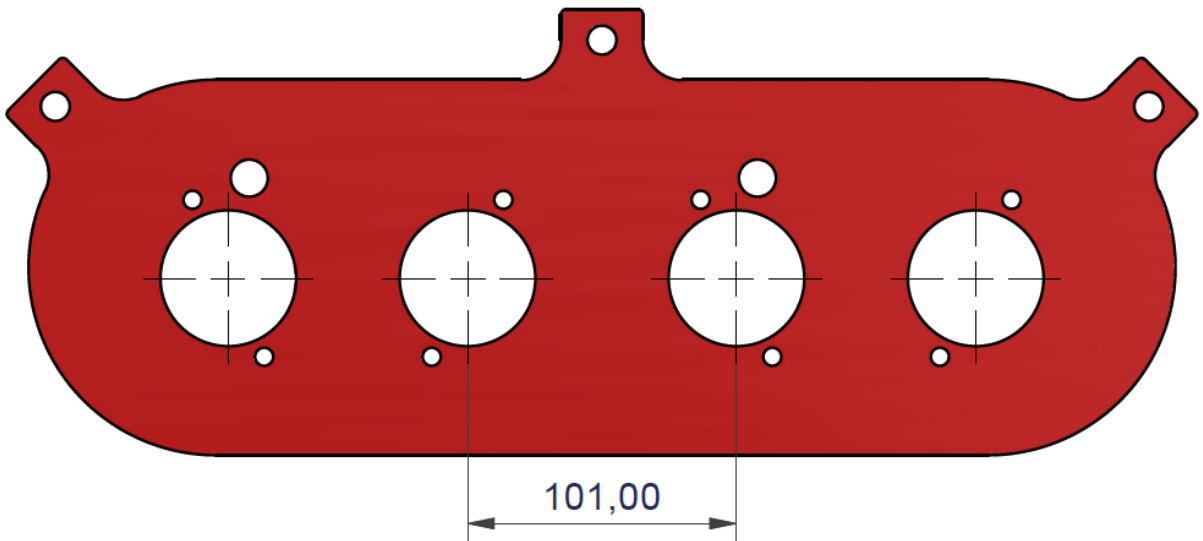
40JC50	Weber IDF	104
--------	-----------	-----



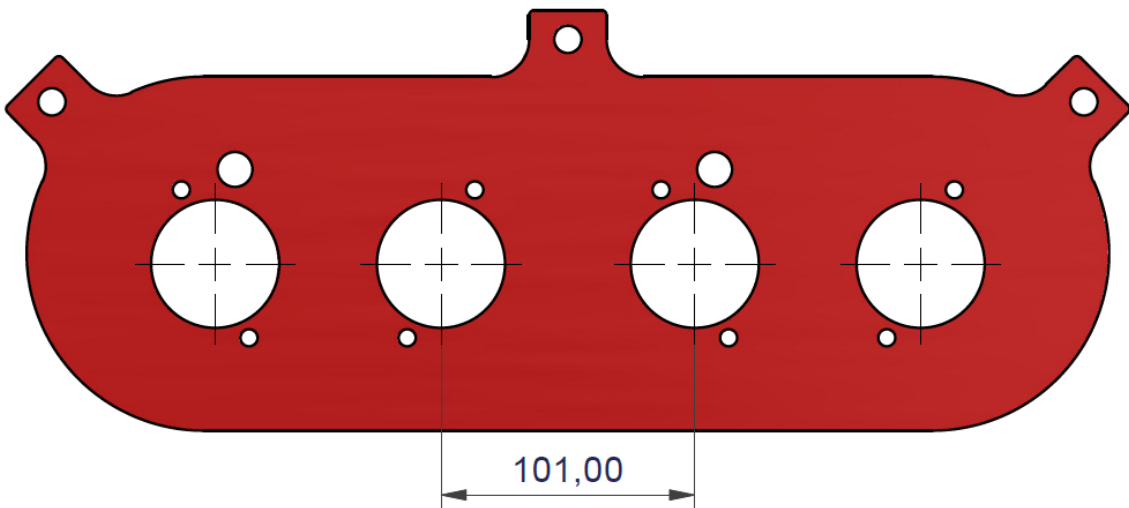
Part No	Carburetors - Engine/Manifold Fitting	Centres (mm)
41JC50	Throttle Bodies (Ø50mm Port Holes)	104



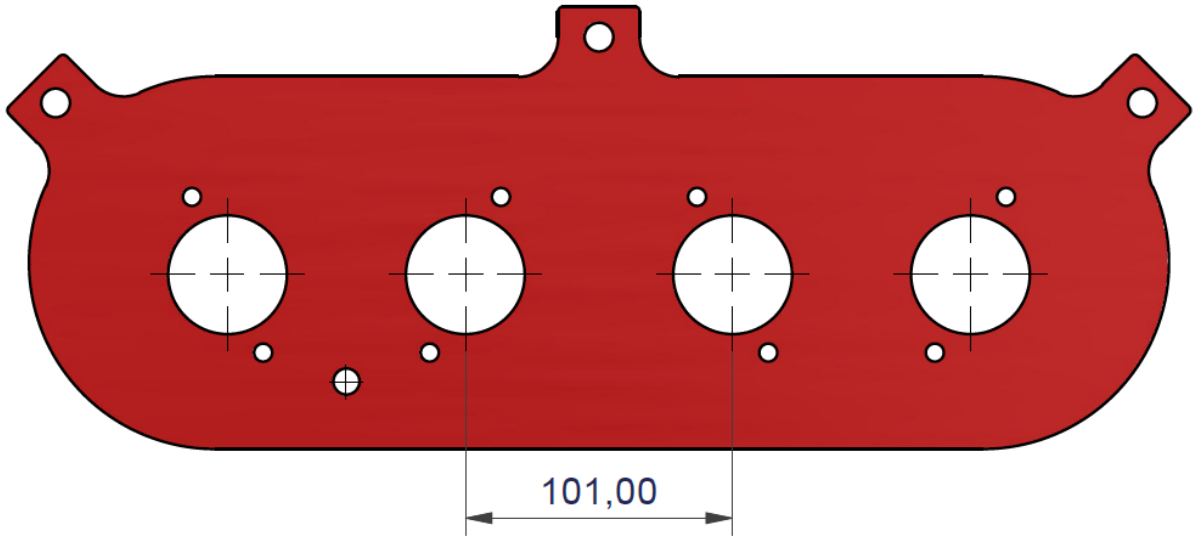
42JC50	Weber DCOE (Ø51mm Port Holes)	101
--------	-------------------------------	-----



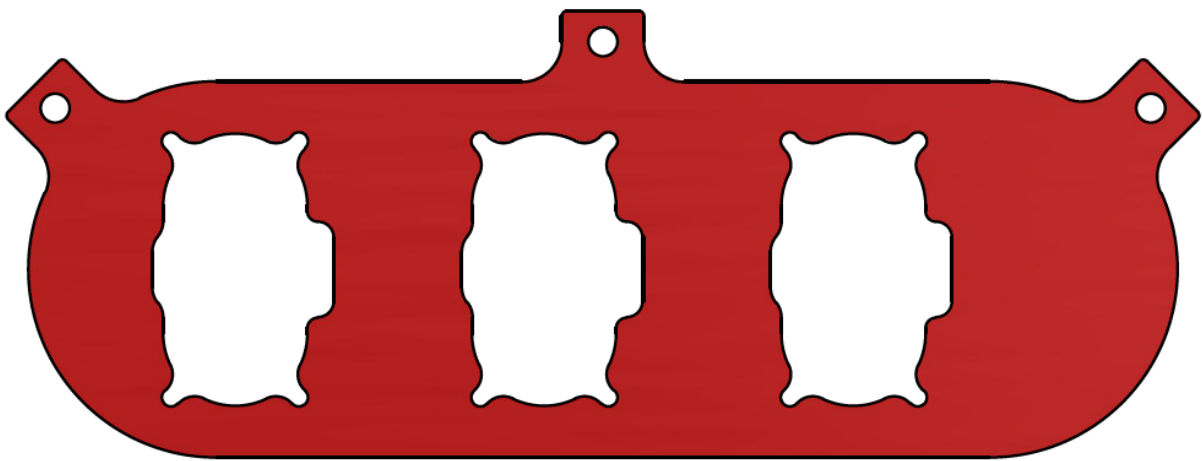
43JC50	Weber DCOE	101
--------	------------	-----



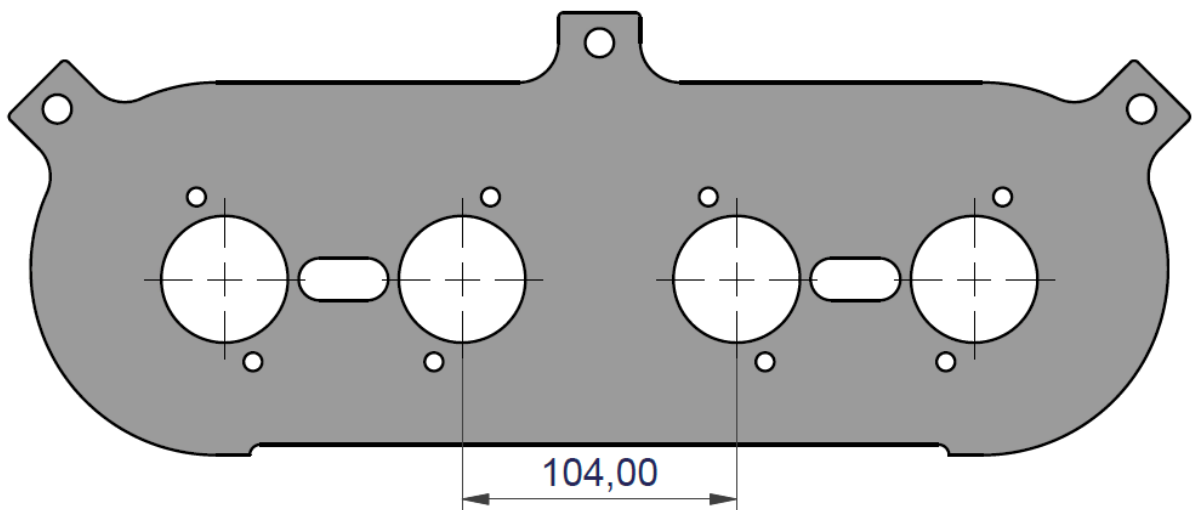
Part No	Carburetors - Engine/Manifold Fitting	Centres (mm)
44JC50	Throttle Bodies (Ø45mm Port Holes)	101



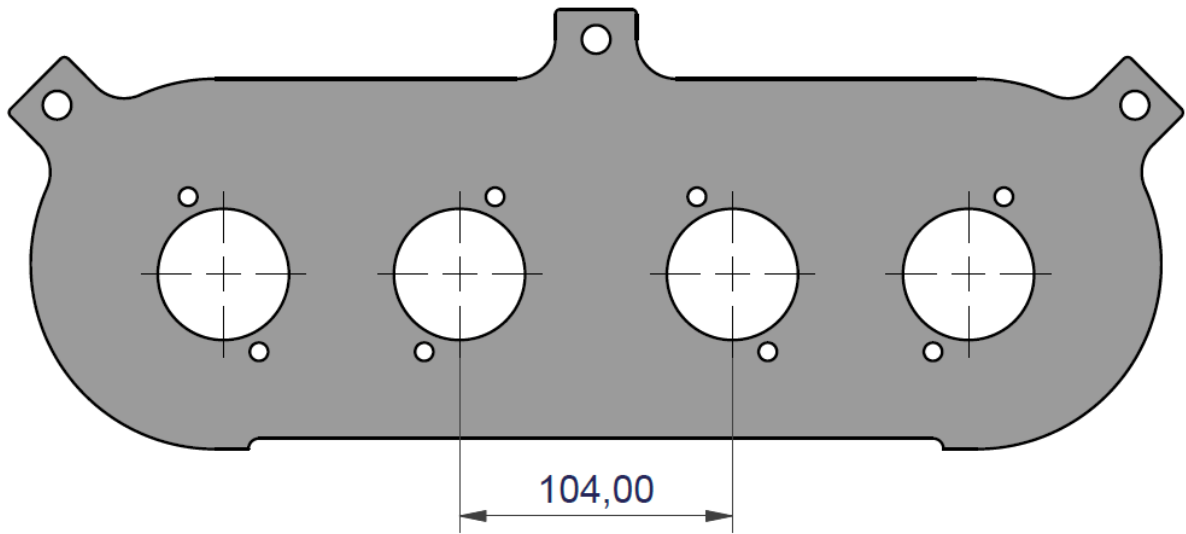
45JC50	Weber DCNF (x3) Fiat Dino V6	N/A
--------	---------------------------------	-----



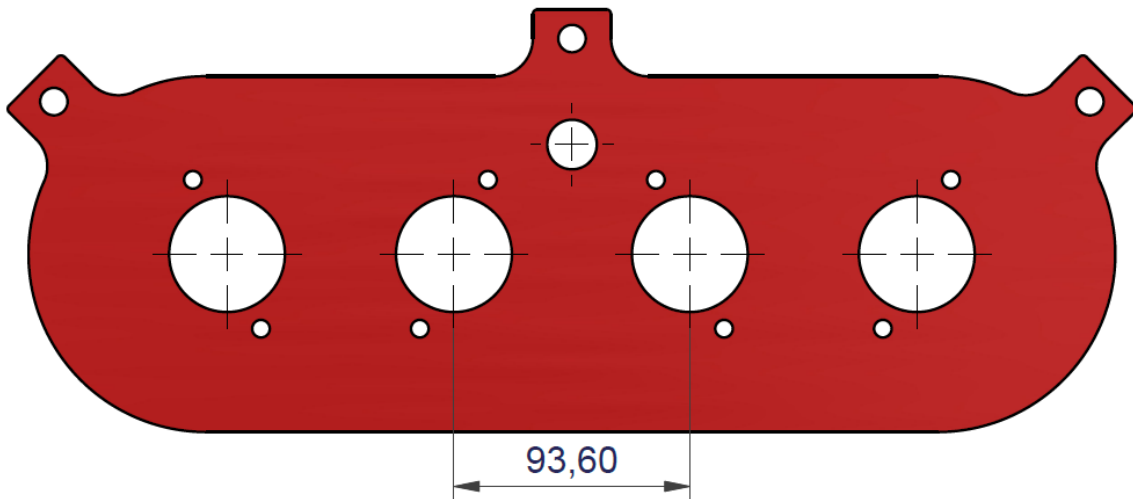
46JC50	Weber IDF	104
--------	-----------	-----



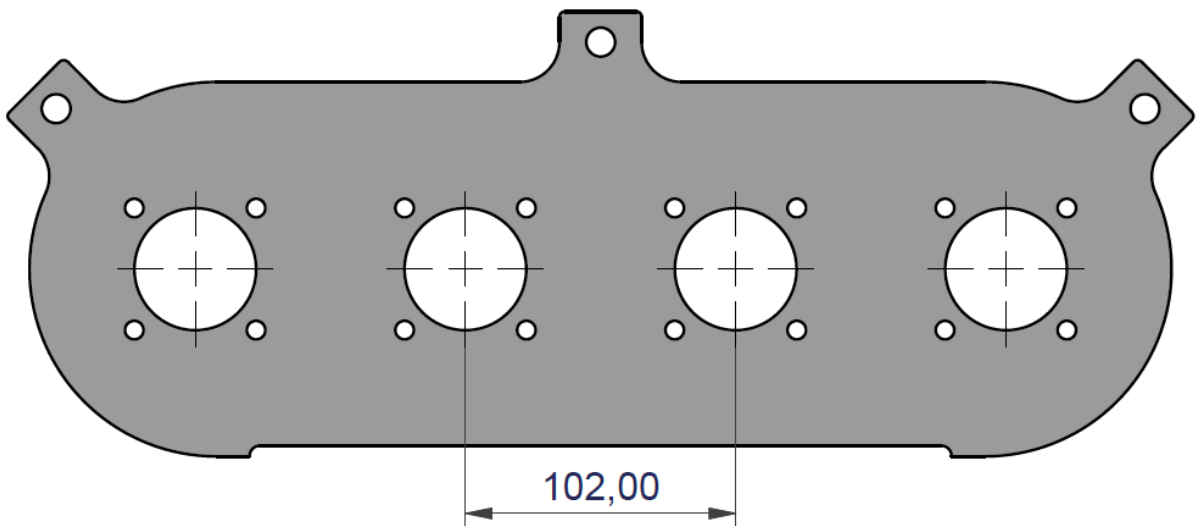
Part No	Carburettors - Engine/Manifold Fitting	Centres (mm)
47JC50	Throttle Bodies (Aluminium, Ø45mm Port Holes)	104



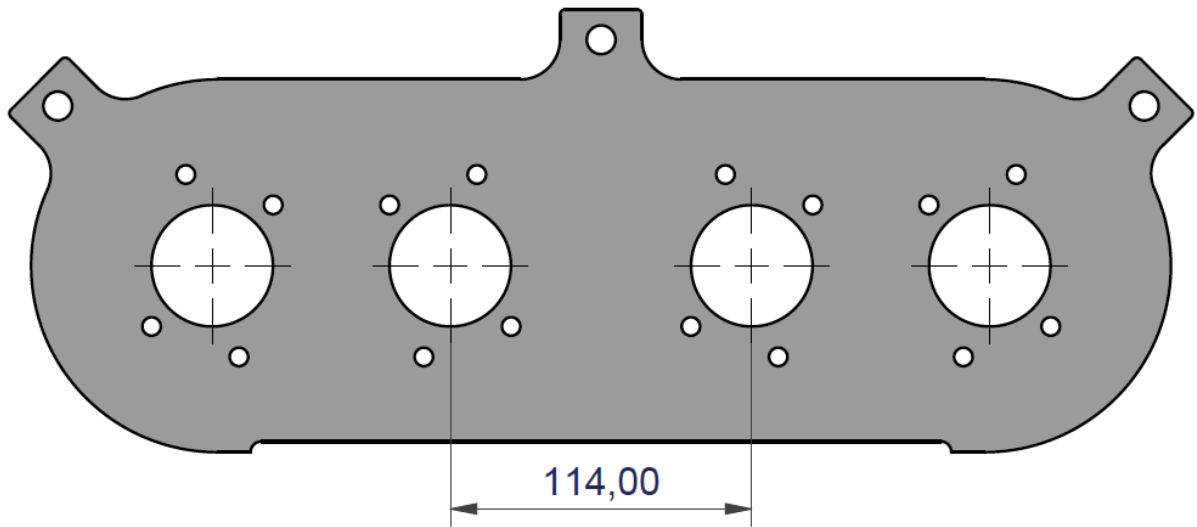
48JC50	Jenvey Throttle Bodies Ginetta G20	93.6
--------	---------------------------------------	------



49JC50	4 Hole Jenvey Throttle Bodies Straight Manifold (102mm Port Spacings)	102
--------	--	-----



Part No	Carburetors - Engine/Manifold Fitting	Centres (mm)
50JC50	Carb/DS2 Millington Curved Manifold	114



Megaflow Custom Laser Cut Baseplate Profiles

Can't find an off-shelf baseplate to suit your application?

We offer a Laser Cutting service for custom profiles, where an off-shelf solution cannot be found. With the below information from you we can create a direct fit baseplate specific to your vehicle!

How to specify custom ITG Megaflow Baseplates...

For Weber DCOE Carbs, Throttle Bodies or similar, we require the brand/model of the setup. From this information we can determine your port spacings which are in most cases 90mm set by the manufacturer of the inlet.

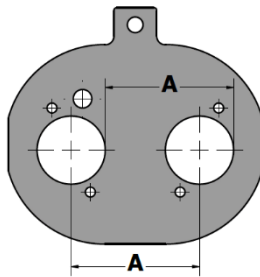
E.g.- Weber 45 DCOE

Jenvey 48 ITB's

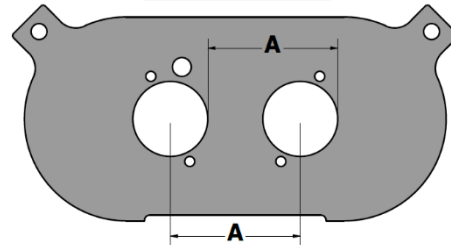
SU-HS6

We then need to know the centre-to-centre distance (**A**) for the main air intakes. This can be measured directly from the centres or if easier, from edge-edge of the main opening's as shown in the diagrams.

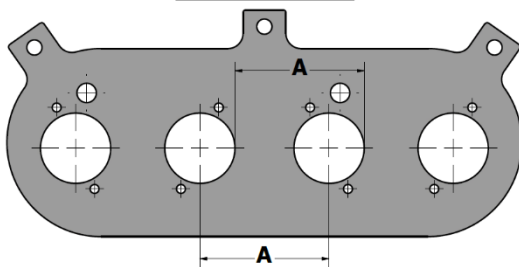
JC20 Baseplate



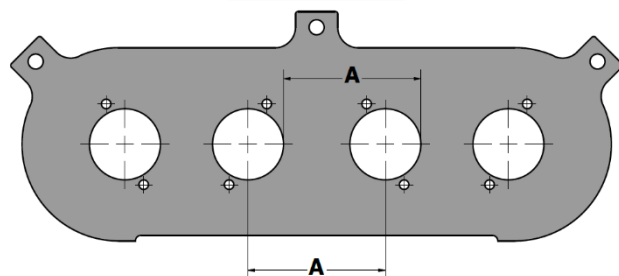
JC30 Baseplate



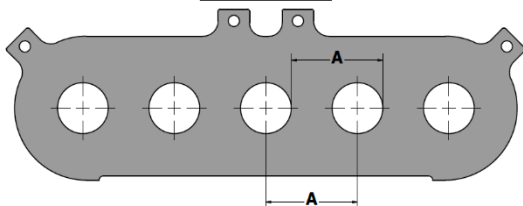
JC40 Baseplate



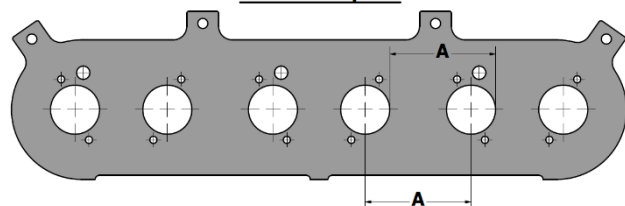
JC50 Baseplate



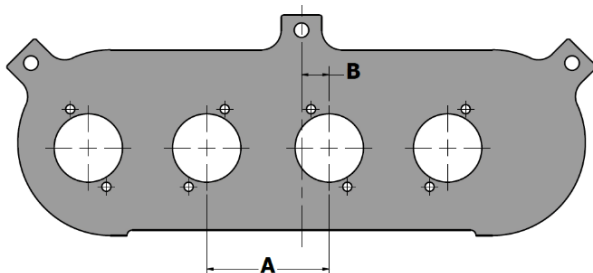
JC55 Baseplate



JC100 Baseplate



How to specify custom offset Megaflow Baseplates...



Profiles are normally centralised, however where required we can offset the profile to clear bodywork. We will work with you to find the ideal offset value (RH or LH) to ensure there will be no internal filter clearance issues, such as airhorns touching internal filter support cages (**B**).

Get in touch with our Technical team for a quote today – technical@itgairfilters.com