

<b>12V DC</b>		16.5" (420mm) Suction		
<b>Revotec part no</b>		<b>FAN0742HP</b>		
Full COMEX code		F77P-12L8204/HT-44S 2700.0742.00		
Fan shroud type		F77		
<b>Static pressure</b>		<b>Suction</b>		
Pa	Inches H <sub>2</sub> O	Airflow m <sup>3</sup> /h	Airflow cfm	Current A
0	0	<b>3390</b>	2000	16.3
25	0.1	<b>3190</b>	1880	17.1
50	0.2	<b>2970</b>	1750	17.7
75	0.3	<b>2770</b>	1630	18.4
100	0.4	<b>2540</b>	1500	19.0
125	0.5	<b>2300</b>	1360	19.2
150	0.6	<b>1970</b>	1160	19.3
175	0.7	<b>1620</b>	960	19.4
200	0.8	<b>1190</b>	700	19.9
225	0.9	<b>820</b>	480	20.4
250	1.0	<b>500</b>	300	20.9
300	1.2	<b>0</b>	0	23.1

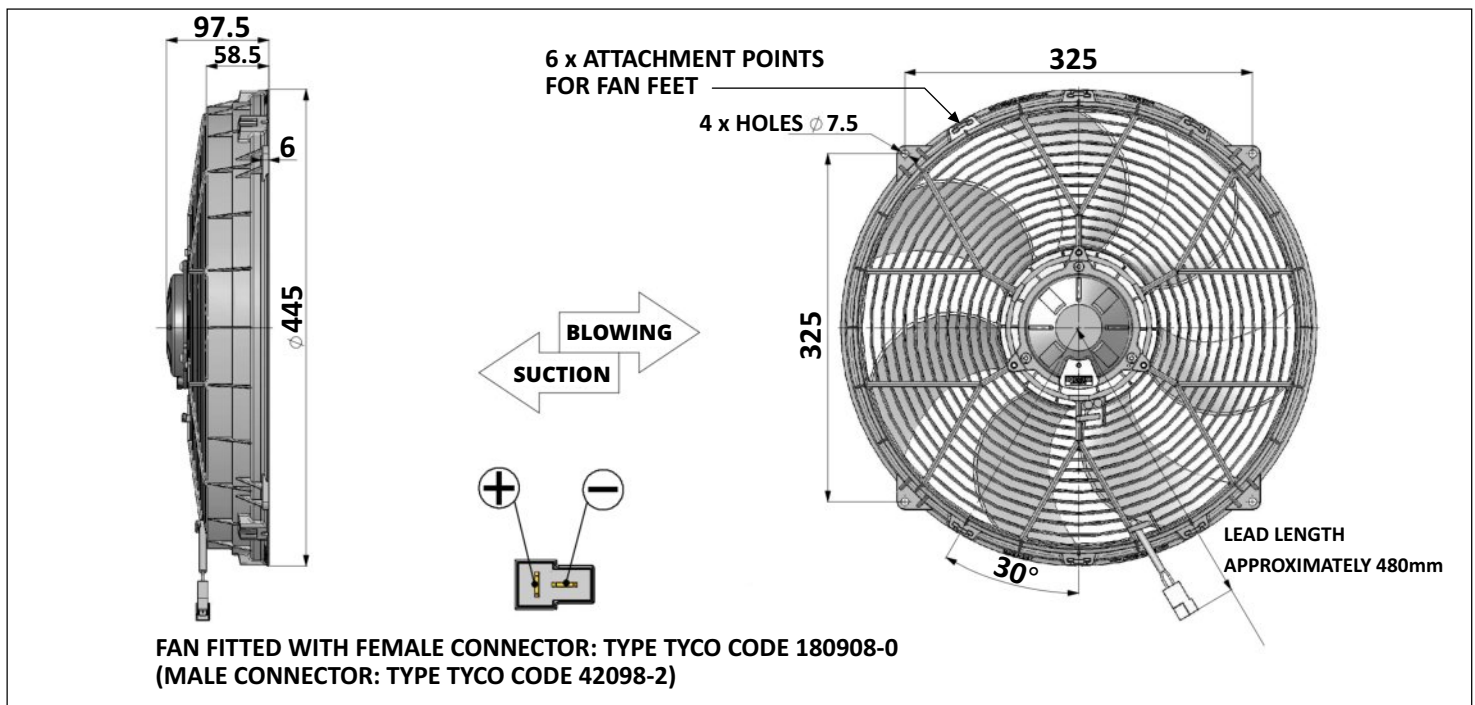
Test voltage 13.0 V DC

Weight 3.1 kg



Suction  
(Curved blade)

3D model available email us: [sales@revotec.com](mailto:sales@revotec.com)



Notes: