

| <b>12V DC</b>          |                         | <b>14" (350mm) Suction</b>      |             |           | <b>14" (350mm) Blowing</b>      |             |           |
|------------------------|-------------------------|---------------------------------|-------------|-----------|---------------------------------|-------------|-----------|
| <b>Revotec part no</b> |                         | <b>FAN0423HP</b>                |             |           | <b>FAN0433HP</b>                |             |           |
| Full COMEX code        |                         | F42-12E8103-18S<br>2700.0423.00 |             |           | F42-12E8103-18B<br>2700.0433.00 |             |           |
| Fan shroud type        |                         | F42                             |             |           | F42                             |             |           |
| <b>Static pressure</b> |                         | <b>Suction</b>                  |             |           | <b>Blowing</b>                  |             |           |
| Pa                     | Inches H <sub>2</sub> O | Airflow m <sup>3</sup> /h       | Airflow cfm | Current A | Airflow m <sup>3</sup> /h       | Airflow cfm | Current A |
| 0                      | 0                       | <b>2540</b>                     | 1500        | 9.6       | <b>2300</b>                     | 1360        | 9.1       |
| 25                     | 0.1                     | <b>2320</b>                     | 1370        | 9.9       | <b>2110</b>                     | 1240        | 9.2       |
| 50                     | 0.2                     | <b>2070</b>                     | 1220        | 10.1      | <b>1870</b>                     | 1100        | 9.3       |
| 75                     | 0.3                     | <b>1790</b>                     | 1060        | 10.0      | <b>1490</b>                     | 880         | 9.4       |
| 100                    | 0.4                     | <b>1400</b>                     | 830         | 9.7       | <b>1030</b>                     | 610         | 9.4       |
| 125                    | 0.5                     | <b>790</b>                      | 470         | 9.6       | <b>500</b>                      | 300         | 9.4       |
| 150                    | 0.6                     | <b>390</b>                      | 230         | 9.9       | <b>80</b>                       | 50          | 10.0      |
| 175                    | 0.7                     | <b>90</b>                       | 50          | 10.6      | <b>0</b>                        | 0           | 10.2      |
| 200                    | 0.8                     | <b>0</b>                        | 0           | 10.8      |                                 |             |           |

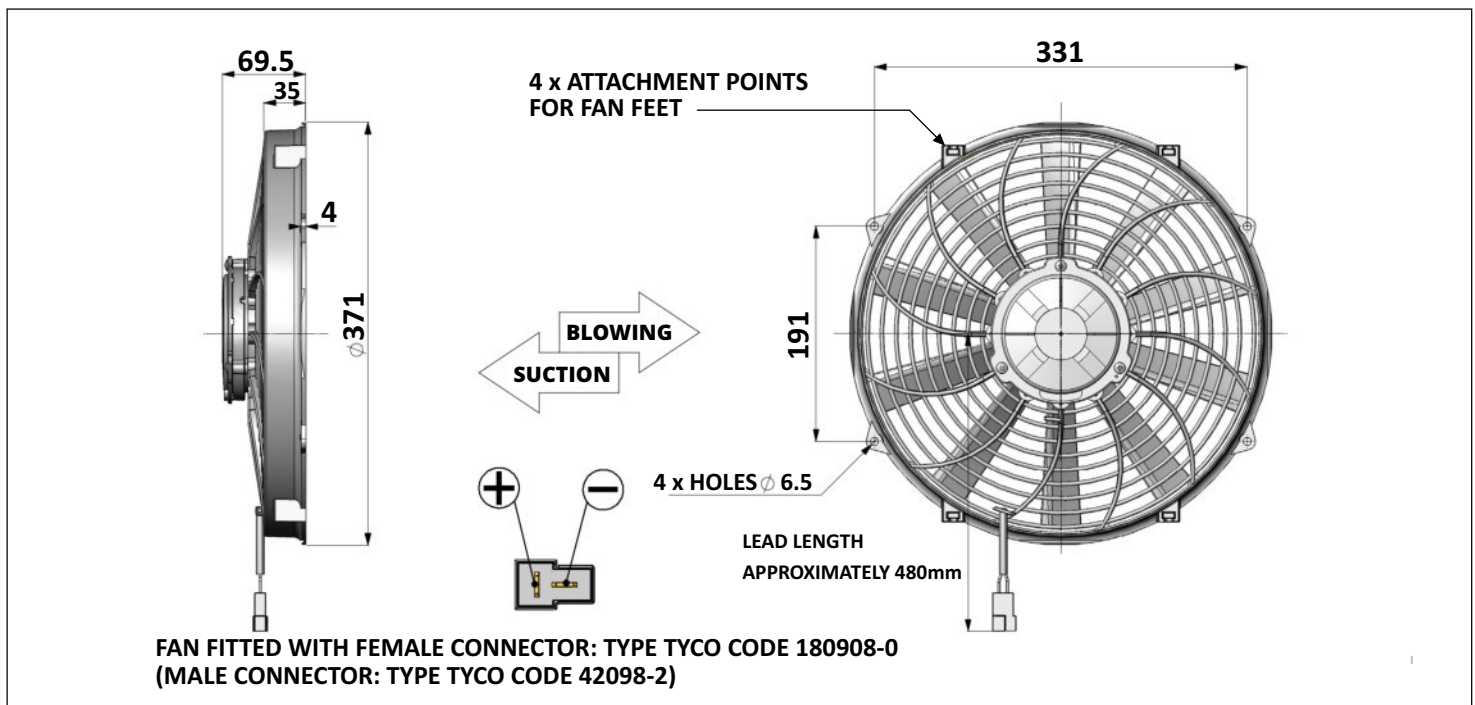


Suction/Blowing  
(Straight blade)

Test voltage 13.0 V DC

Weight 1.9 kg

3D model available email us: [sales@revotec.com](mailto:sales@revotec.com)



Notes: