

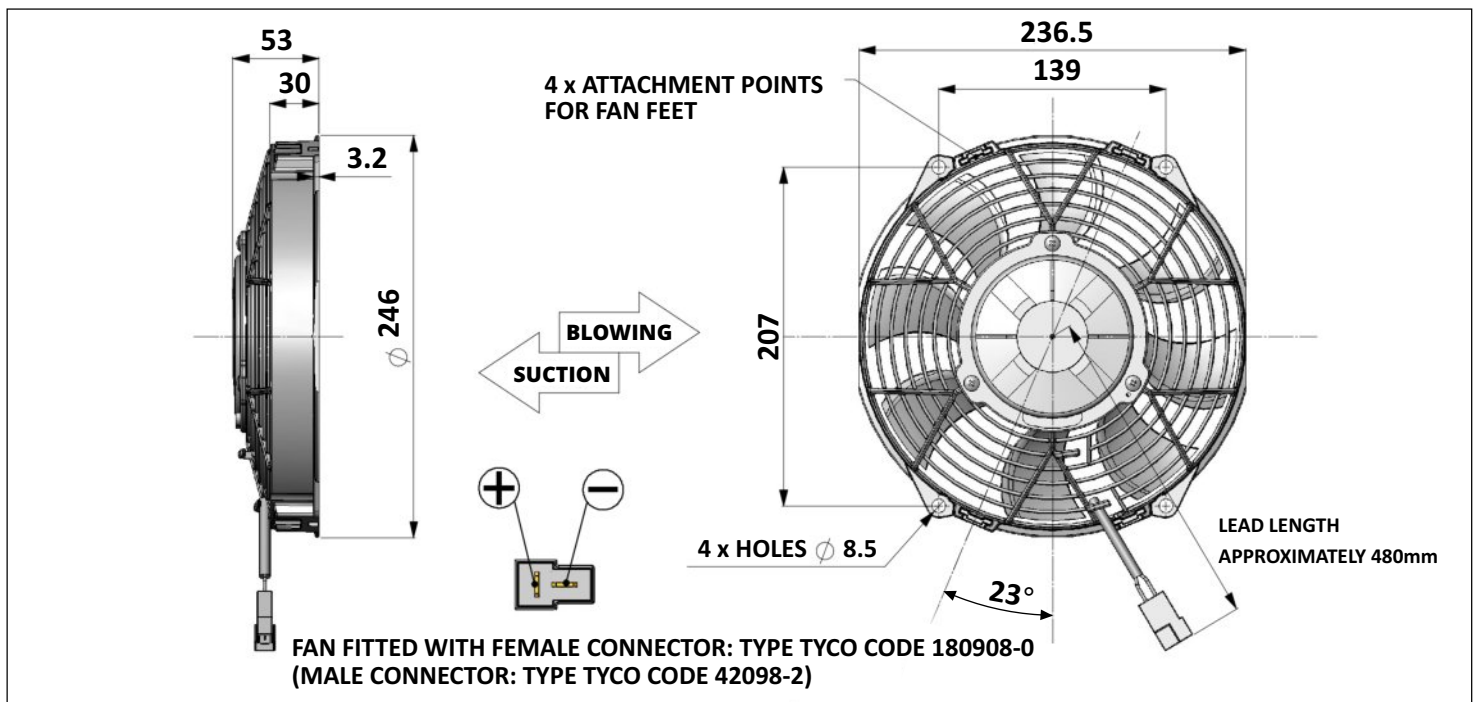
12V DC		9" (225mm) Suction			9" (225mm) Blowing		
Revotec part no		FAN0608			FAN0127		
Full COMEX code		F26P-12E8013-40S 2700.0608.00			F26P-12E8001-10B 2700.0127.00		
Fan shroud type		F26P			F26P		
Static pressure		Suction			Blowing		
Pa	Inches H ₂ O	Airflow m ³ /h	Airflow cfm	Current A	Airflow m ³ /h	Airflow cfm	Current A
0	0	1010	600	5.7	1030	610	7.0
25	0.1	950	560	5.9	940	550	6.9
50	0.2	900	530	6.2	840	500	6.9
75	0.3	840	500	6.4	720	420	6.9
100	0.4	780	460	6.6	570	340	7.0
125	0.5	710	420	6.7	440	260	7.2
150	0.6	640	380	6.8	320	190	7.4
175	0.7	540	320	6.8	190	110	7.7
200	0.8	460	270	7.0	0	0	8.2
250	1.0	310	180	7.3			
300	1.2	150	90	7.6			
350	1.4	0	0	8.1			


 Blowing
(Straight blade)

 Suction
(Curved blade)

Test voltage 13.0 V DC

Weight 1.1 kg

 3D model available email us: sales@revotec.com


Notes: