

12V DC		14" (350mm) Suction			14" (350mm) Blowing		
Revotec part no		FAN0434			FAN0435		
Full COMEX code		F42-12E8011-18S 2700.0434.00			F42-12E8011-18B 2700.0435.00		
Fan shroud type		F42			F42		
Static pressure		Suction			Blowing		
Pa	Inches H ₂ O	Airflow m ³ /h	Airflow cfm	Current A	Airflow m ³ /h	Airflow cfm	Current A
0	0	2060	1220	6.3	2010	1190	6.3
25	0.1	1780	1050	6.4	1770	1040	6.4
50	0.2	1440	850	6.4	1360	800	6.5
75	0.3	910	540	6.3	840	500	6.5
100	0.4	280	170	6.3	220	130	6.6
125	0.5	20	10	6.7	20	10	6.9
150	0.6	0	0	6.8	0	0	7.0

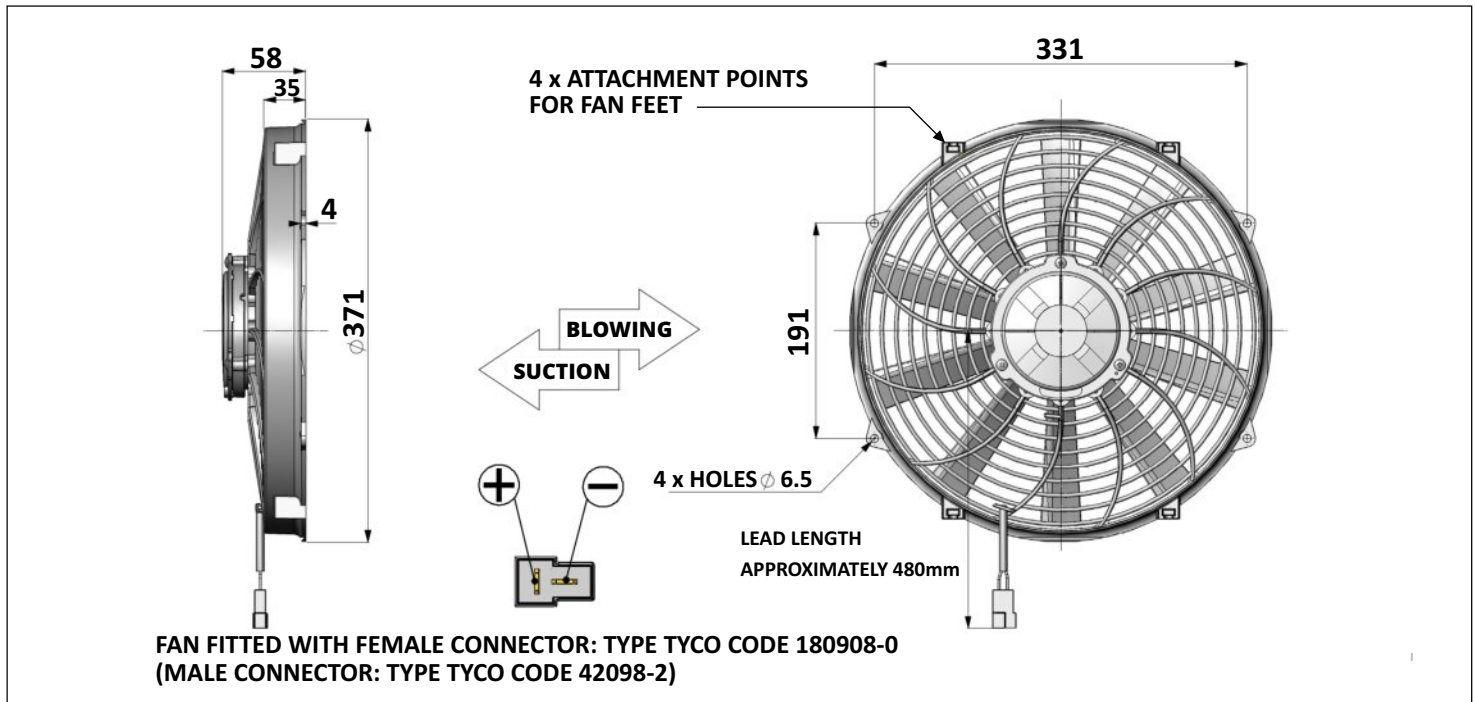


Suction/Blowing
(Straight blade)

Test voltage 13.0 V DC

Weight 1.4 kg

3D model available email us: sales@revotec.com



Notes: