

12V DC		11" (280mm) Suction			11" (280mm) Blowing		
Revotec part no		FAN0089			FAN0110		
Full COMEX code		F07P-12E8004-02S 2700.0089.00			F07P-12E8004-02B 2700.0110.00		
Fan shroud type		F07P			F07P		
Static pressure		Suction			Blowing		
Pa	Inches H <sub>2</sub> O	Airflow m <sup>3</sup> /h	Airflow cfm	Current A	Airflow m <sup>3</sup> /h	Airflow cfm	Current A
0	0	<b>1620</b>	960	7.9	<b>1650</b>	970	7.7
25	0.1	<b>1440</b>	850	8.1	<b>1400</b>	830	7.8
50	0.2	<b>1260</b>	740	8.0	<b>1190</b>	700	7.8
75	0.3	<b>1010</b>	600	7.8	<b>930</b>	550	7.8
100	0.4	<b>610</b>	360	7.7	<b>630</b>	370	7.9
125	0.5	<b>380</b>	220	7.9	<b>350</b>	210	7.8
150	0.6	<b>0</b>	0	8.1	<b>0</b>	0	8.2

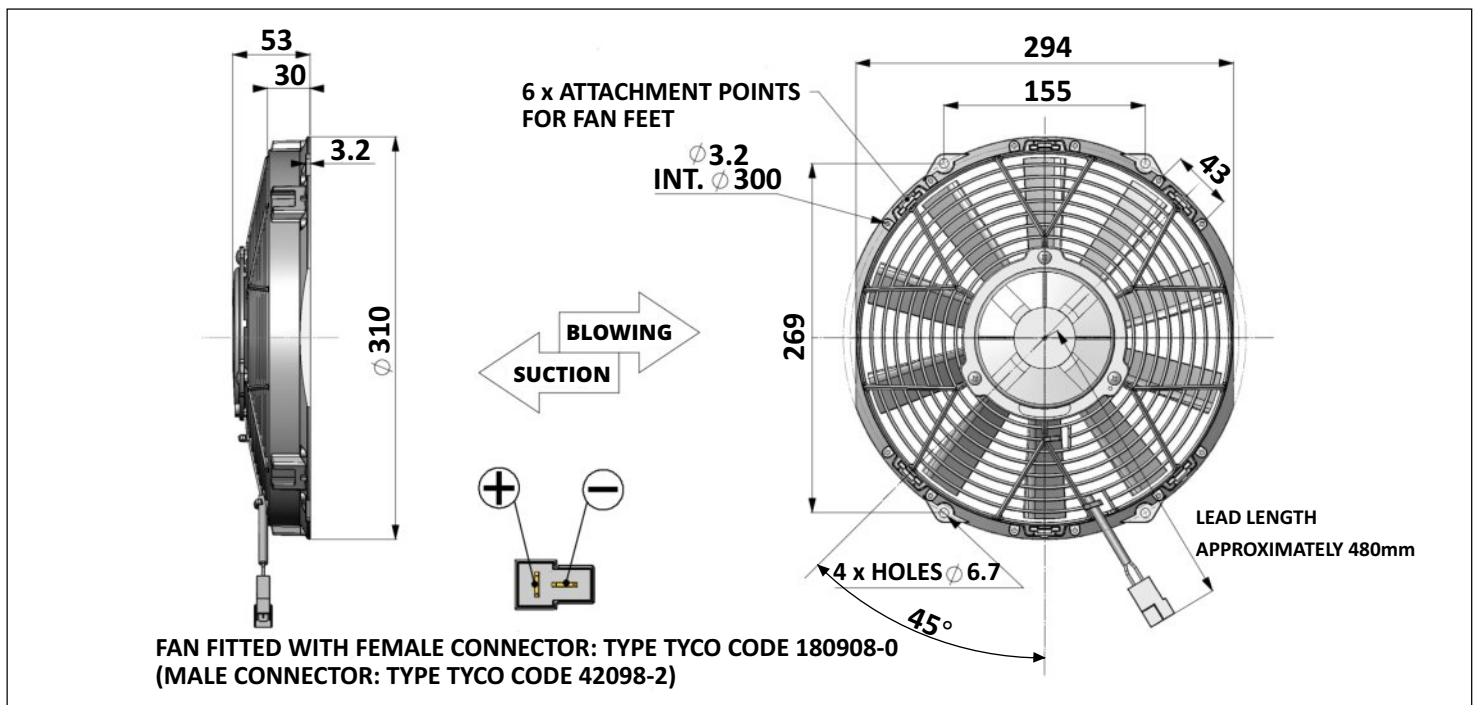


Suction/Blowing  
(Straight blade)

Test voltage 13.0 V DC

Weight 1.2 kg

3D model available email us: [sales@revotec.com](mailto:sales@revotec.com)



Notes: