



RAIN LIGHTS



CONTENTS

SPECIFICATION	PAGE 1
STANDARD RAIN LIGHT (NON-FLASHING)	PAGE 2
MULTIMODE RAIN LIGHT (FLASHING)	PAGE 3
DUAL COLOURED RAIN LIGHT	PAGE 4
'AFTERBURNER' RAIN/BRAKE LIGHT	PAGE 5

CONTACT INFORMATION

CARTEK AUTOMOTIVE ELECTRONICS LTD

Unit 25, Mitchell Point

Ensign Way, Hamble

Southampton

SO31 4RF

UNITED KINGDOM

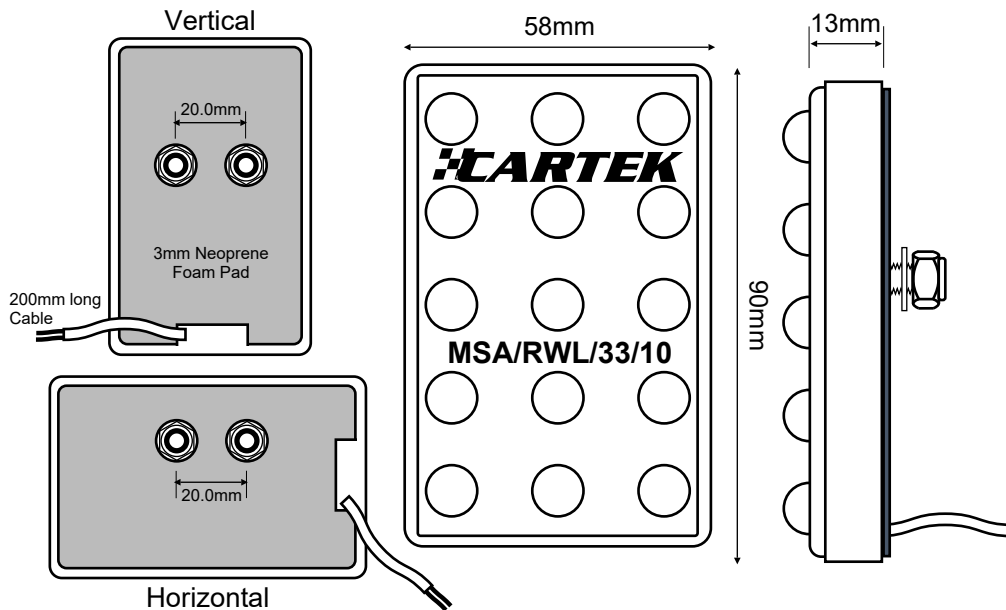
+44(0)2380 457747

info@cartekmotorsport.com

www.CARTEKMOTORSPORT.com

SPECIFICATION

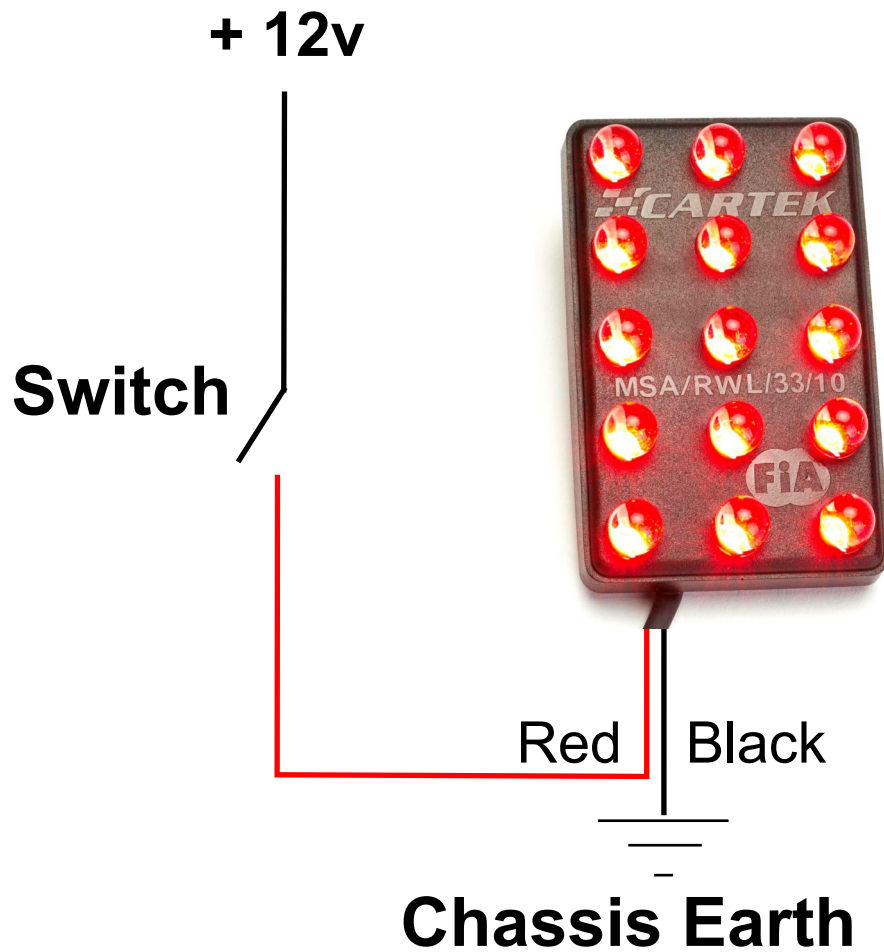
Drawing



Technical Details

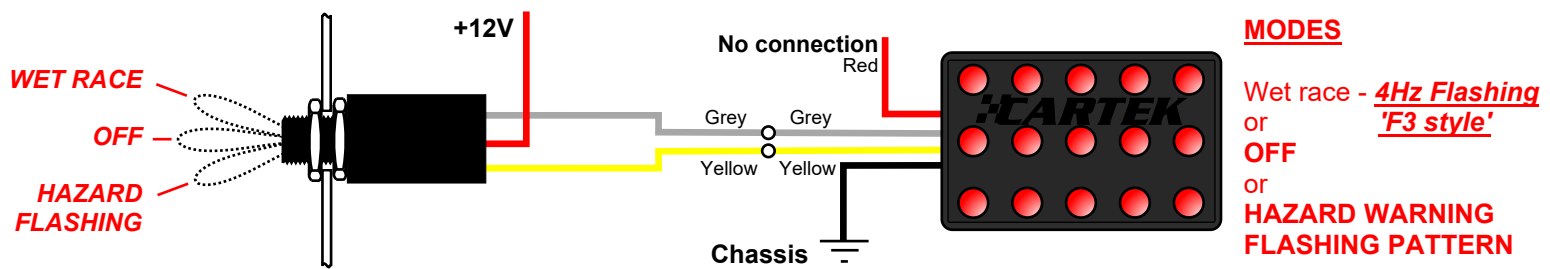
Size:	L = 90mm, W = 58mm
Weight:	145g
Construction:	One-piece solid resin moulding
Lighting:	15x10mm multi-chip LEDs, 5x3 formation 40cm ² area
Intensity:	250cd straight ahead, 200cd @ 10deg Up, Down, Left, Right (Universal orientation)
Mounting:	Two M6 stainless steel studs
Electrical:	9V - 16V, 290mA @ 13.5V = 3.3W (static), 150mA @ 13.5V = 1.8W (flashing)

CK-LR-15 RAIN LIGHT STANDARD (Non-flashing)

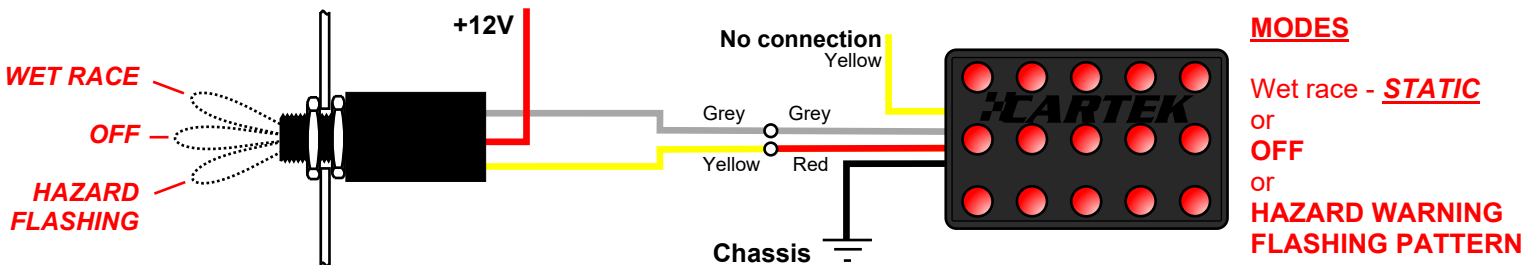


CK-LR-F3 RAIN LIGHT MULTIMODE (Flashing)

‘FLASHING MODE’

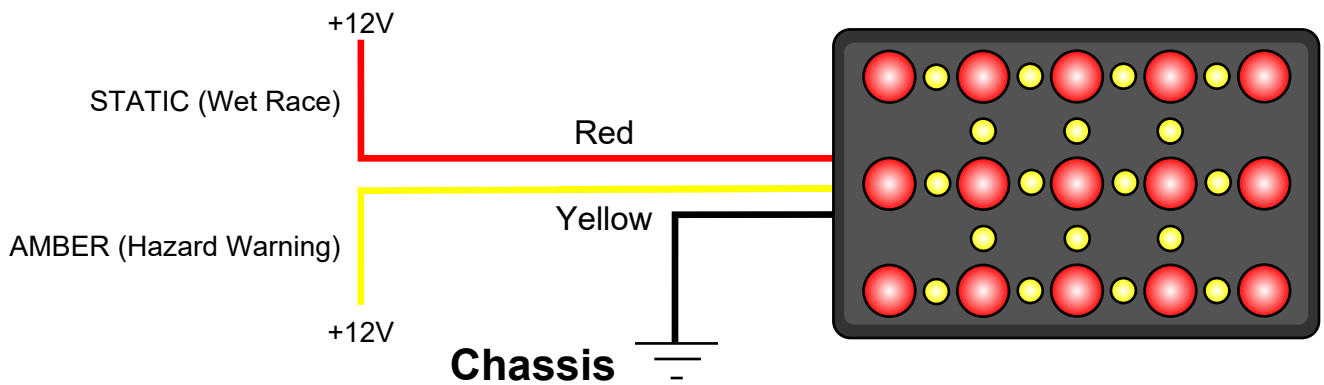


‘STATIC MODE’

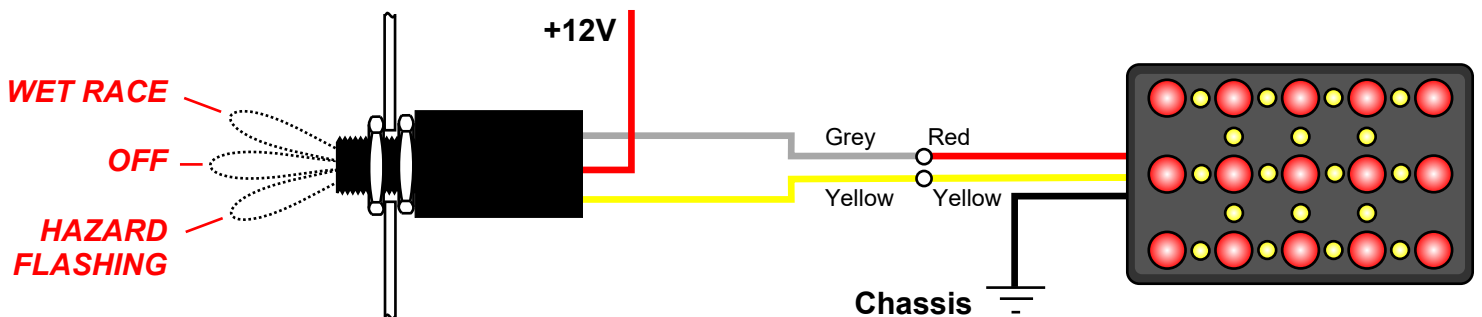


CK-LR-DC DUAL COLOURED RAIN LIGHT

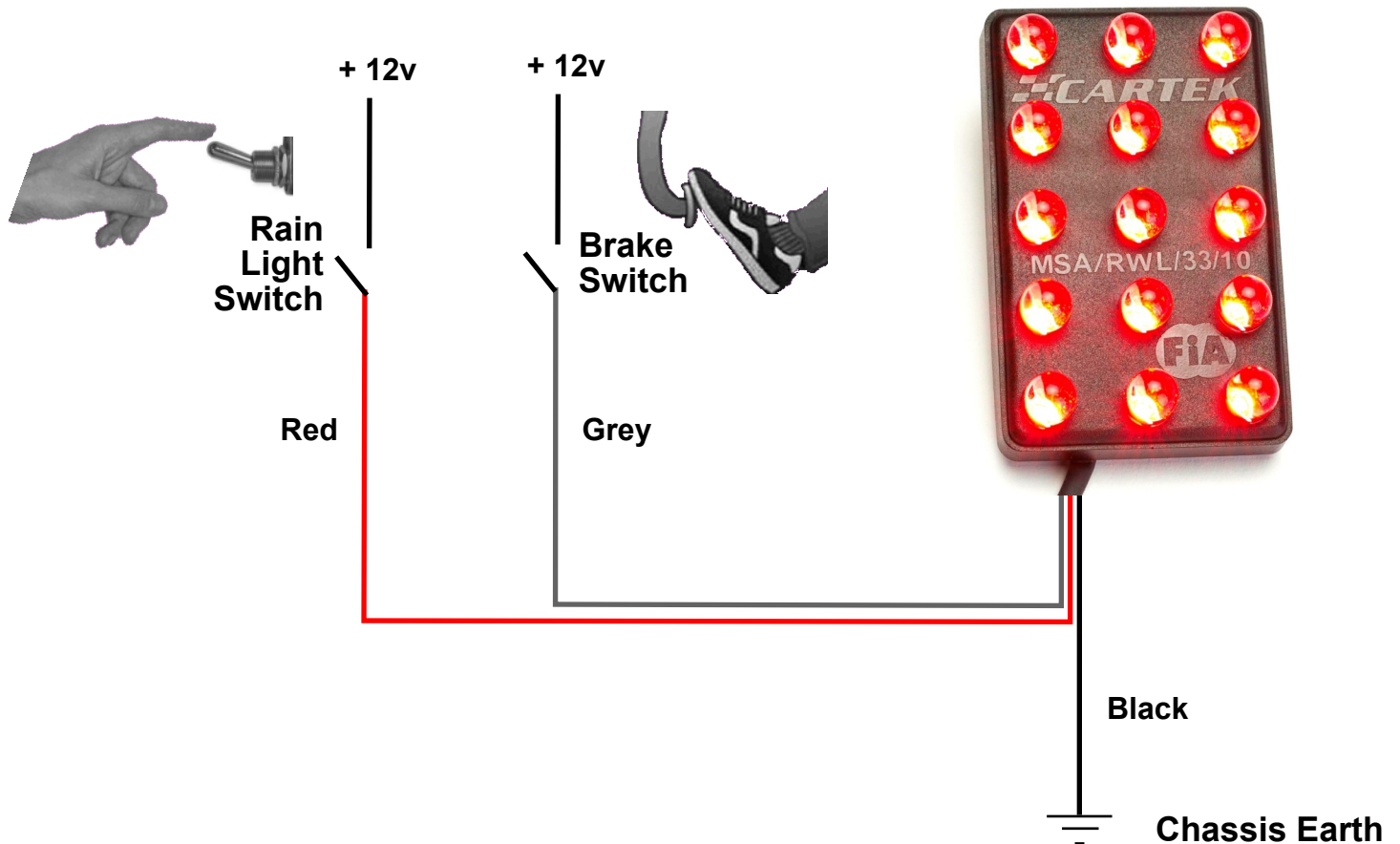
WITHOUT SWITCH



WITH SWITCH



CK-LR-RB 'AFTERBURNER' RAIN/BRAKE LIGHT



RAIN LIGHT WITH INTEGRATED FLASHING/BRAKE ELECTRONICS