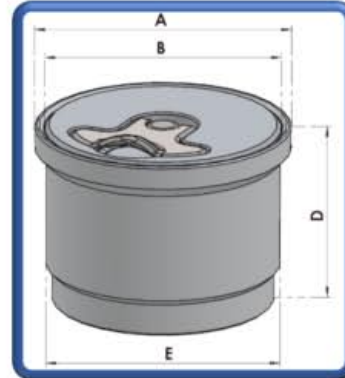




Aero 300

A300 Fuel Filler Cap, Non-Locking, Non-vented, Silver, Weld-On Neck.

Part Number: OB-ZA-040 (A3NSX)



Options:

Part Description

A300 Fuel Filler Cap, Locking, Non-Vented, Silver, Weld-On Neck

A300 Fuel Filler Cap, Non-Locking, Non-Vented, Black, Weld-On Neck

A300 Fuel Filler Cap, Locking, Non-vented, Black, Weld-On Neck

Part Number

OB-ZA-044 (A3NLX)

OB-ZA-102 (A3NSXB)

OB-ZA-103 (A3NLXB)

Specifications:

Fixing Arrangement:

Applications:

Compatibilities:

Finish:

Weight:

Supplied With:

Weld-On or Adhesive

Fuel, Oil & Water Tanks

Extreme Fuels

Operation Temperature -40°C to +80°C

Anodised

125.0 grams

Centre Cap

Weld-On Neck

Materials:

Centre Cap:

Weld-On Ring:

O-Ring:

Saddle:

Lever & Centre Pin:

Washer & Nyloc Nut:

Aluminium Alloy 6063/T6 Forging

Aluminium Alloy 6082/T6

Viton A (FPM or FKM)

Acetal POM Kepital F20-03

Stainless Steel 303/304

Stainless Steel A2 Type

Dimensions:

Outside Diameter A:

Centre Cap Diameter B:

Bolt Circle Diameter C:

Depth D:

Spigot:

Neck Diameter E/F:

Flange Thickness:

62.5mm

57.6mm

N/A

45.0mm

57.0mm (Ø58.0 Cut-Out)

N/A

N/A

Optional('s):

Metal Saddle

Hard Anodising